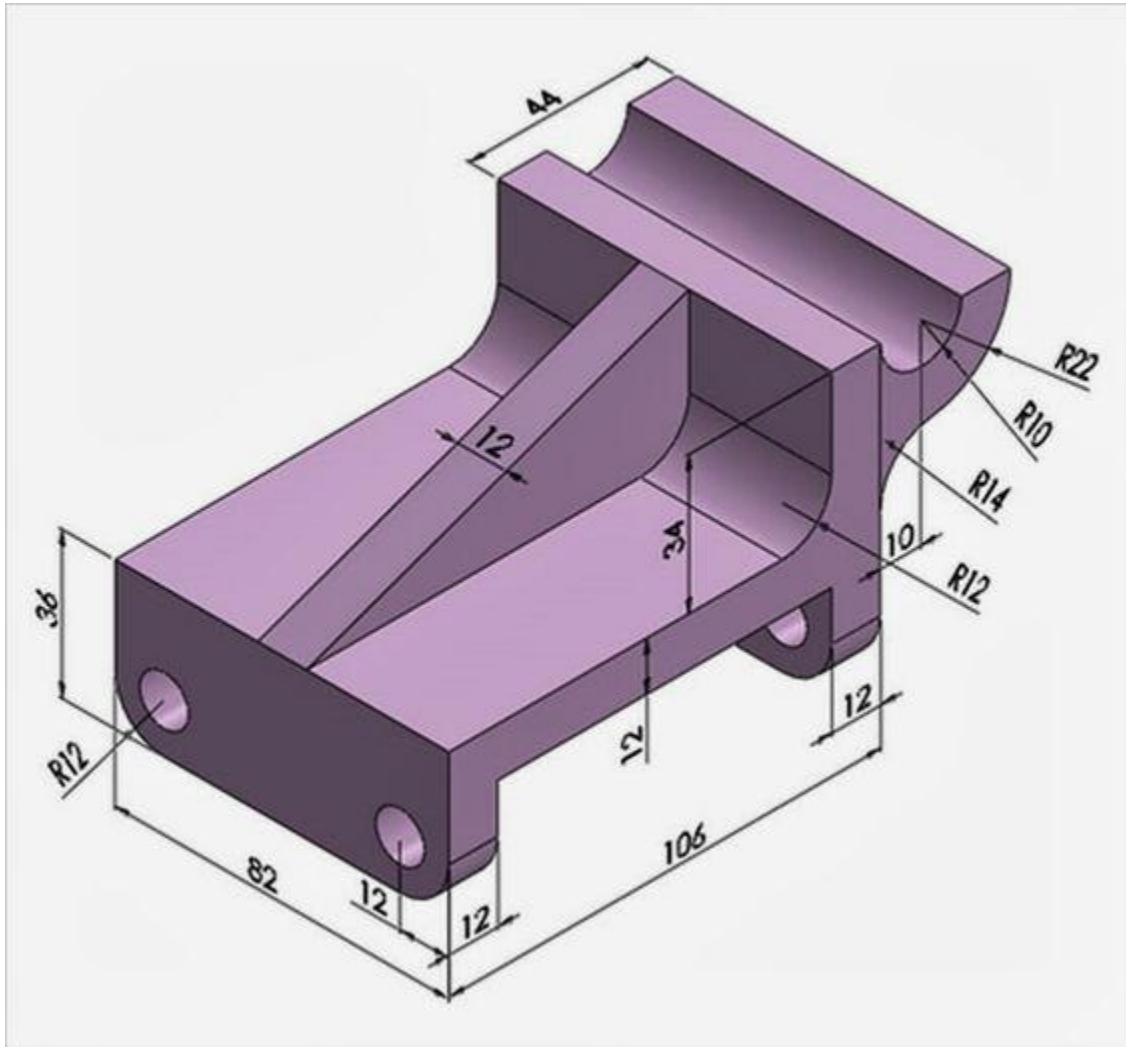
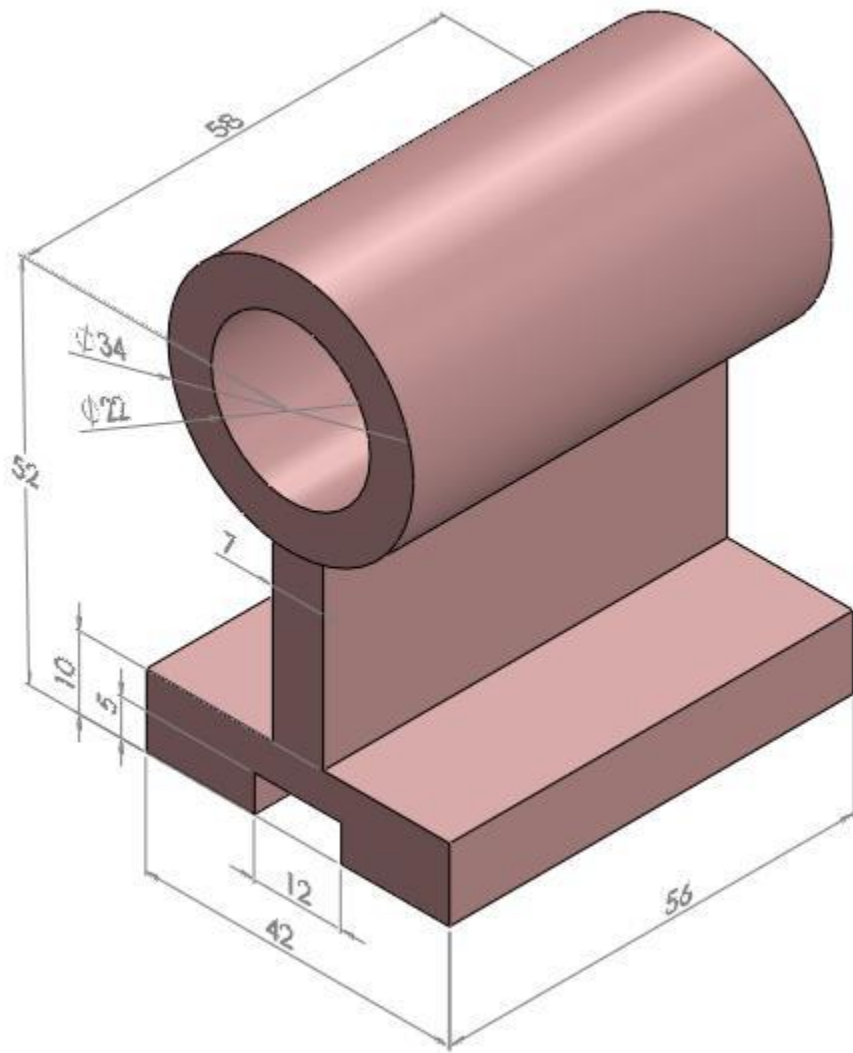
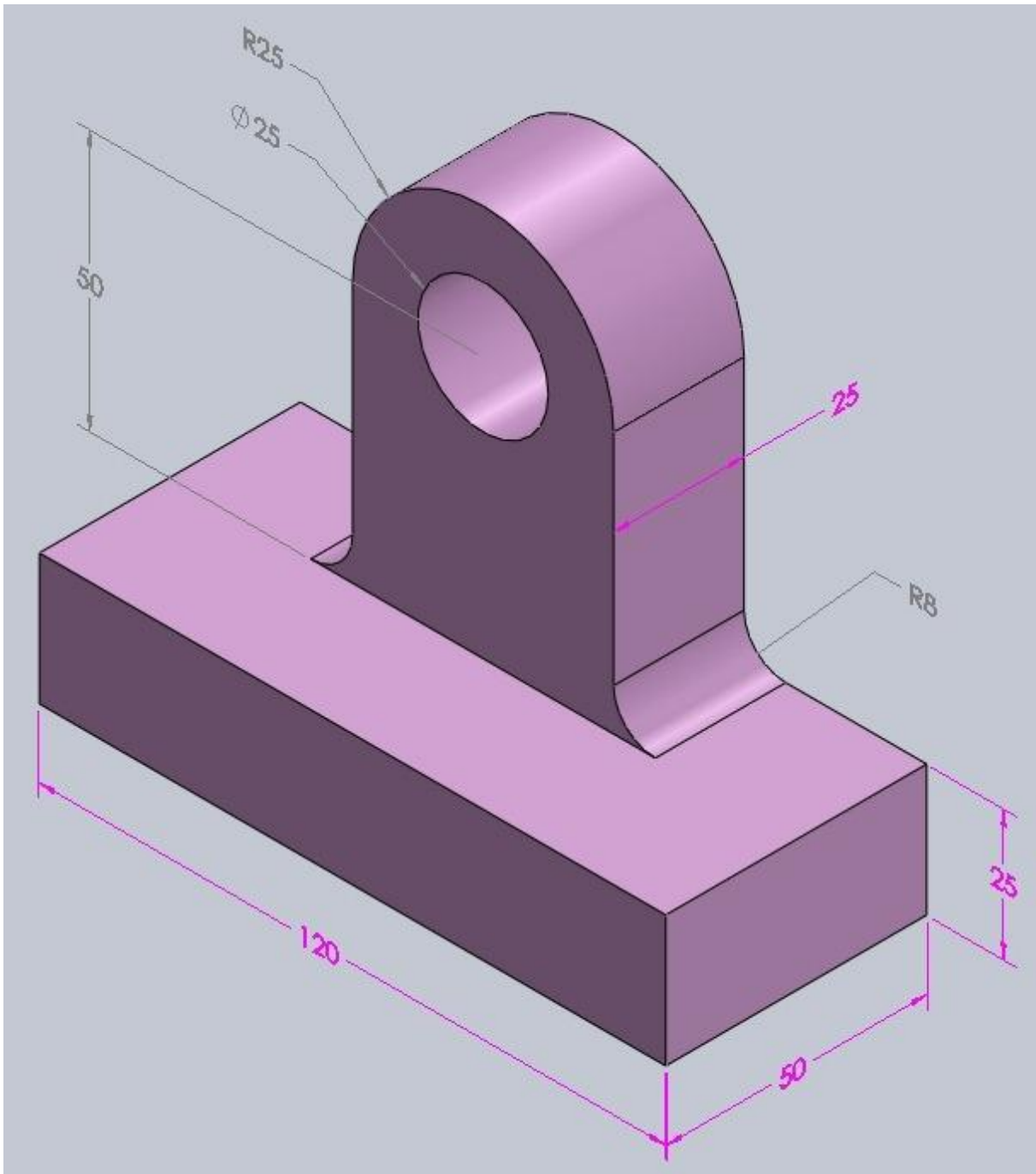


Solid Drawing (PRACTICES OF 12th WEEK)

Sketch these figure below in AutoCAD™







References:

<https://tr.pinterest.com/pin/532339618426359083/> Access Date : 31.01.2017

http://www.mapeng.net/news/mechanical_English_article/2012/11/mapeng_121122243327999.html Access Date : 31.01.2017

<http://www.mechanicalengineeringblog.com/3301-free-3d-cad-models-autocad-exercise-drawings-autocad-2012-exercises/> Access Date : 31.01.2017