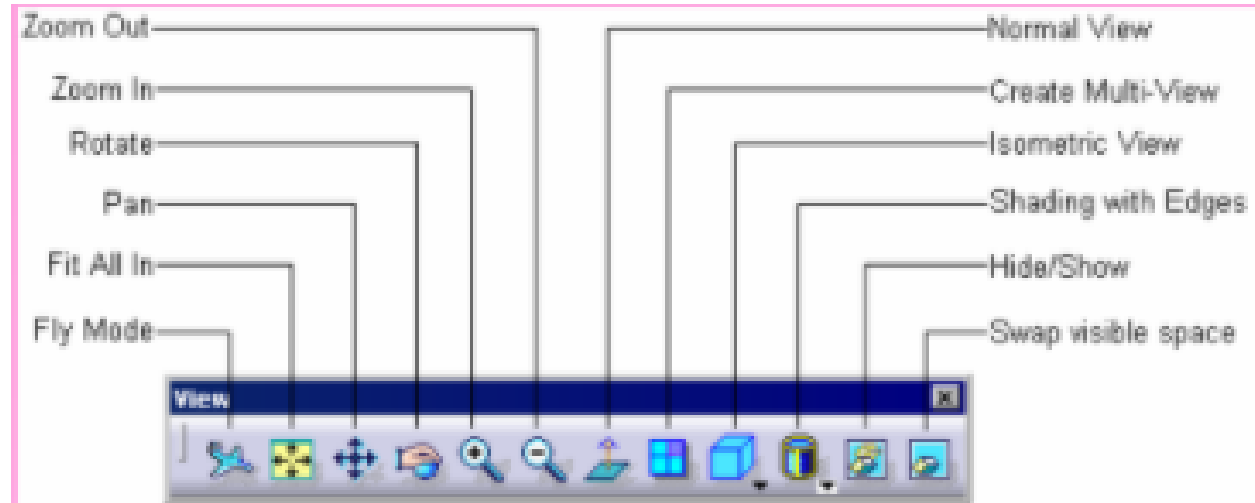


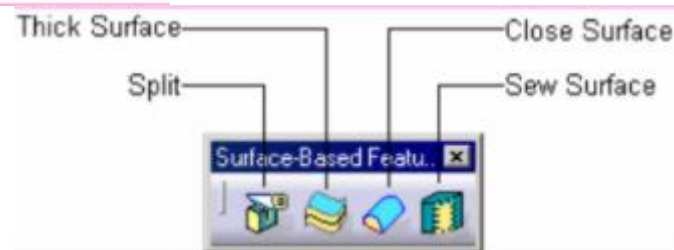
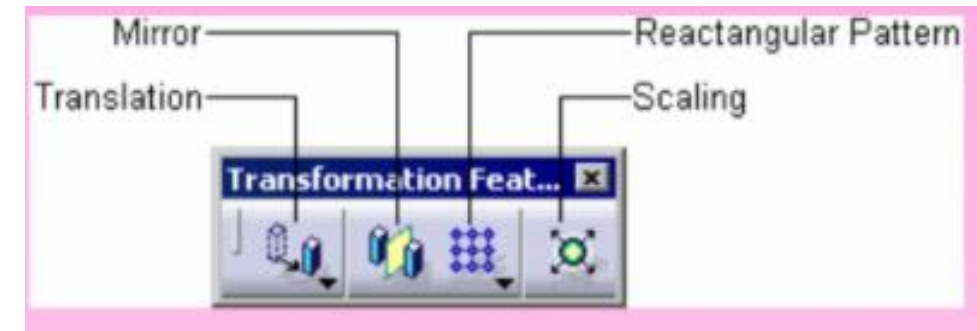
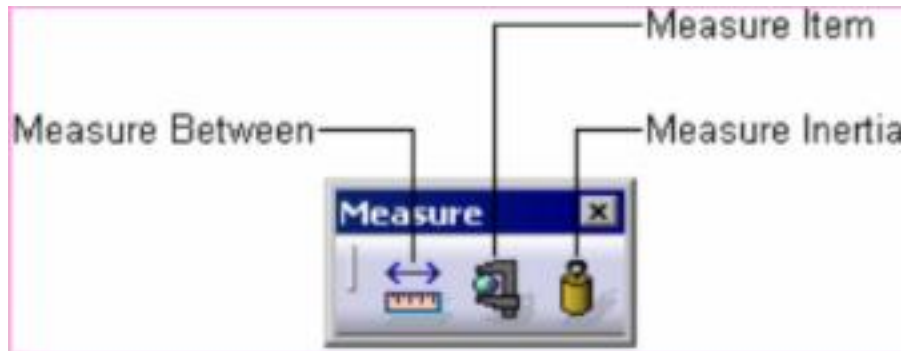
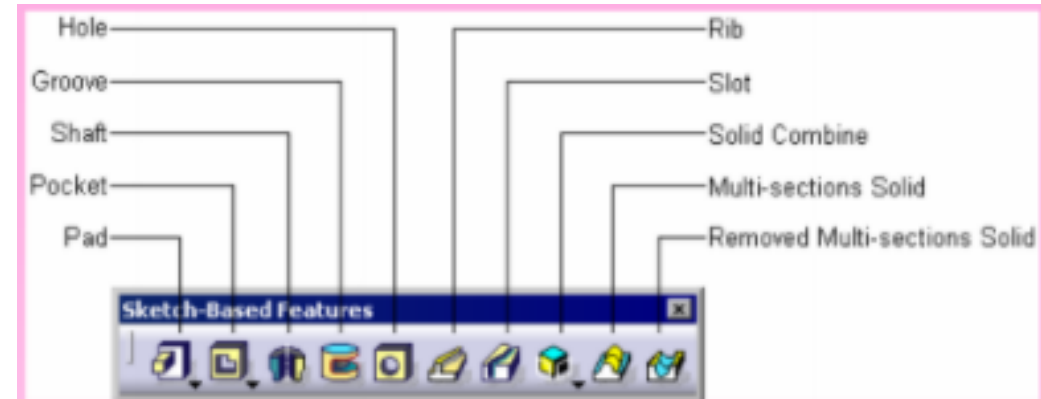
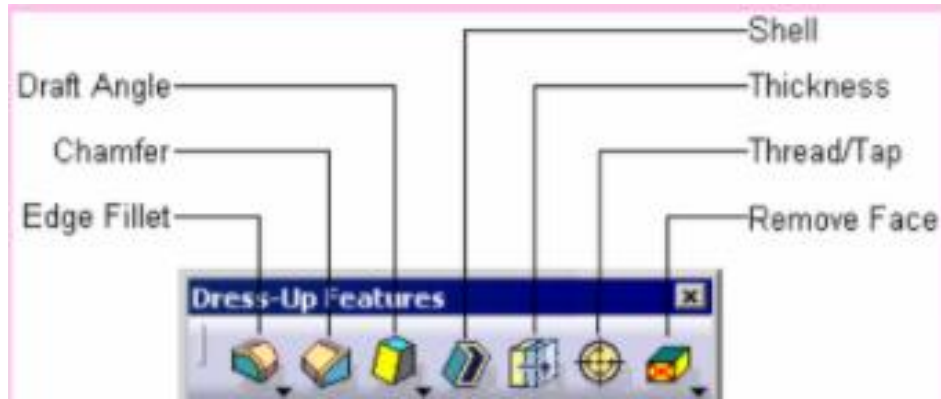
BİLGİSAYAR DESTEKLİ TASARIM 4

DOÇ.DR. CANER KOÇ

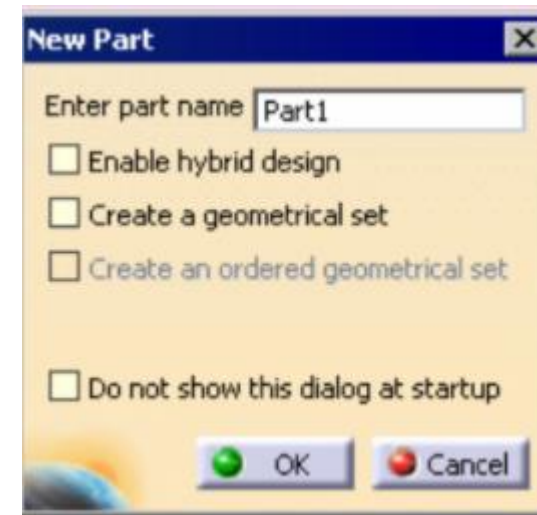
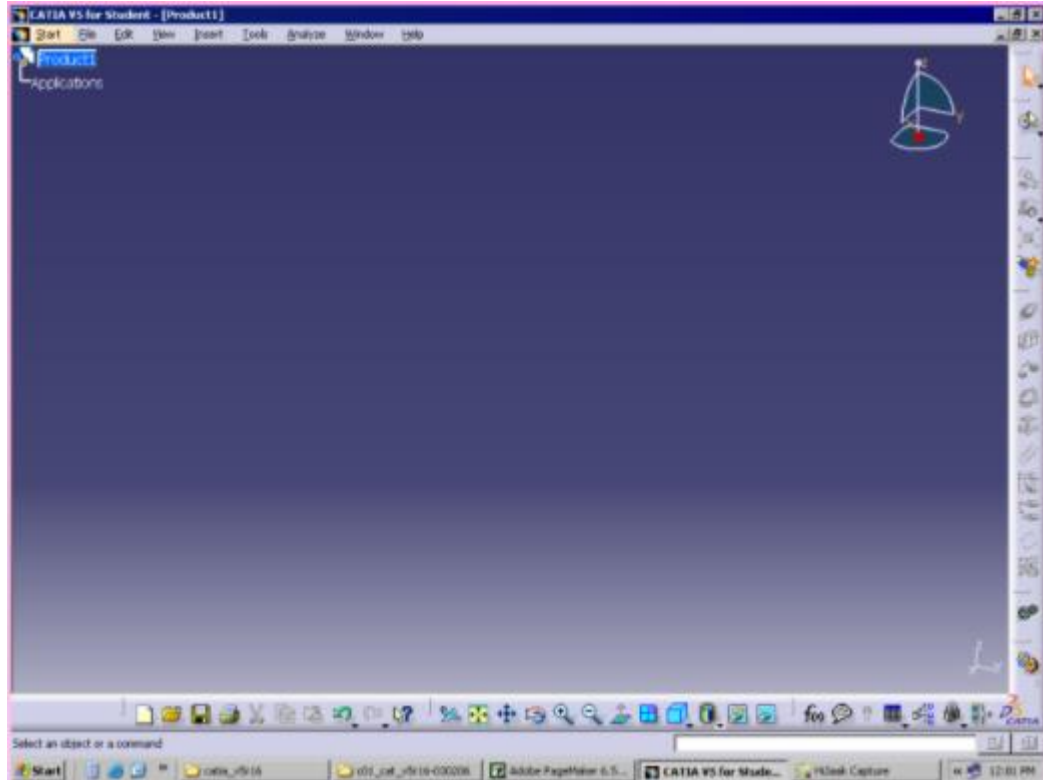
VIEW ARAÇ ÇUBUĞU



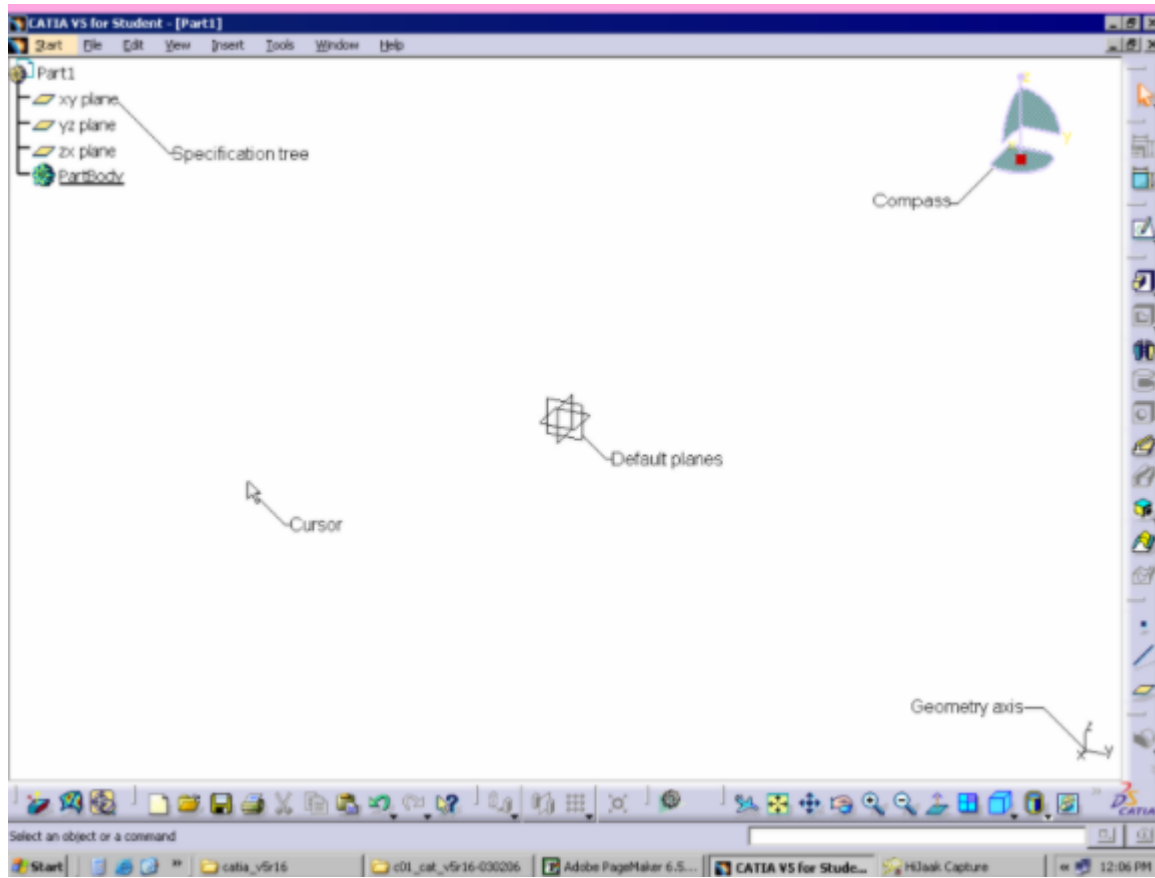
PARÇA MODELLEME



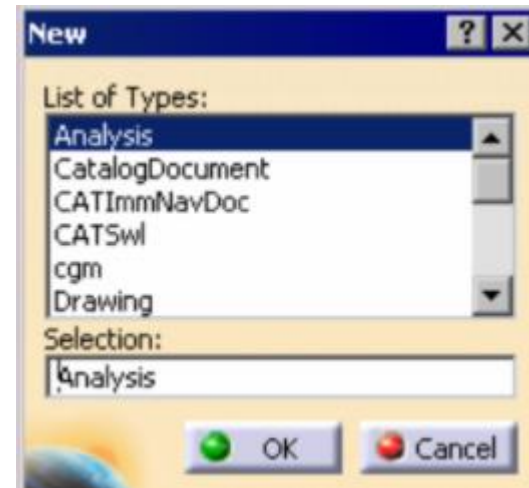
Parça Modelleme



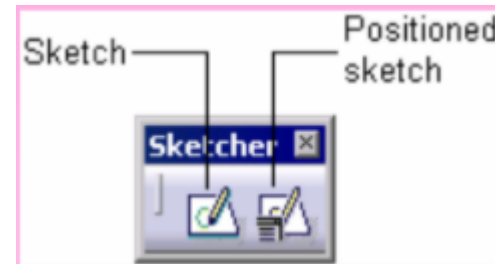
1



2



3



Sketch tools

Start Point: H: V: L: A:

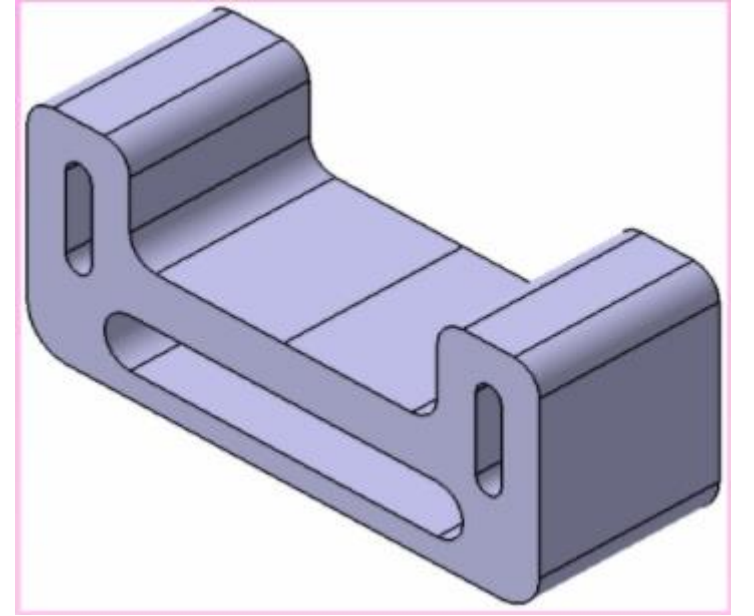
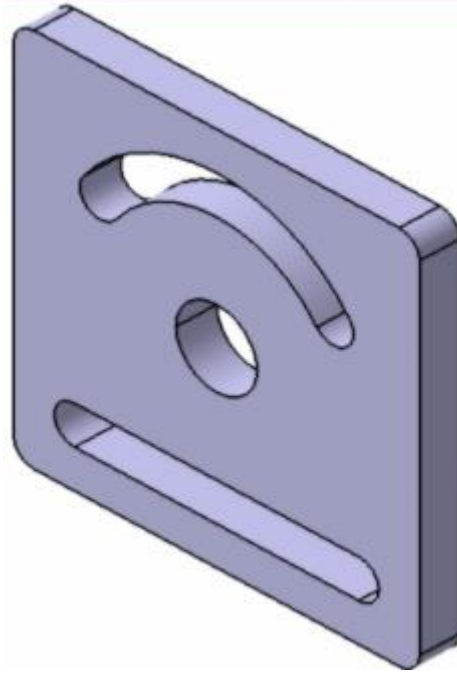
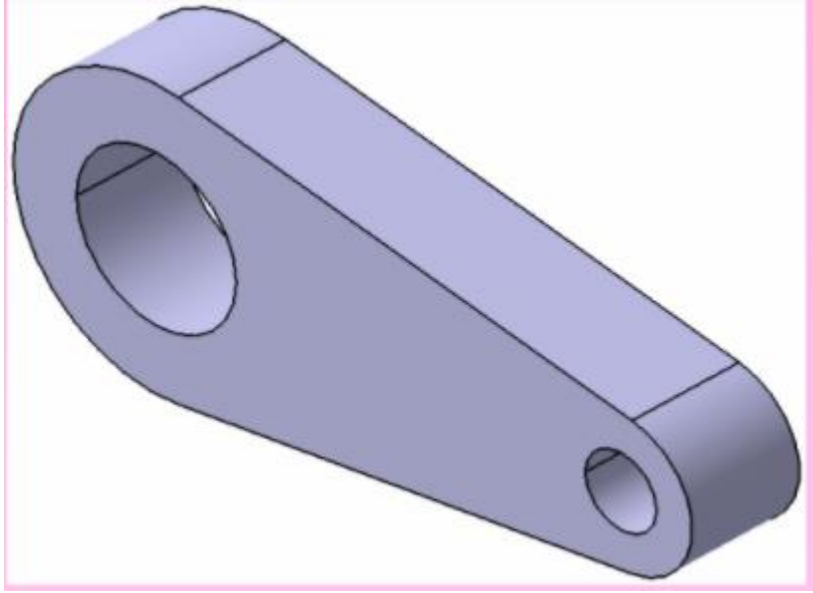
CATIA V5 for Student - [Part1]

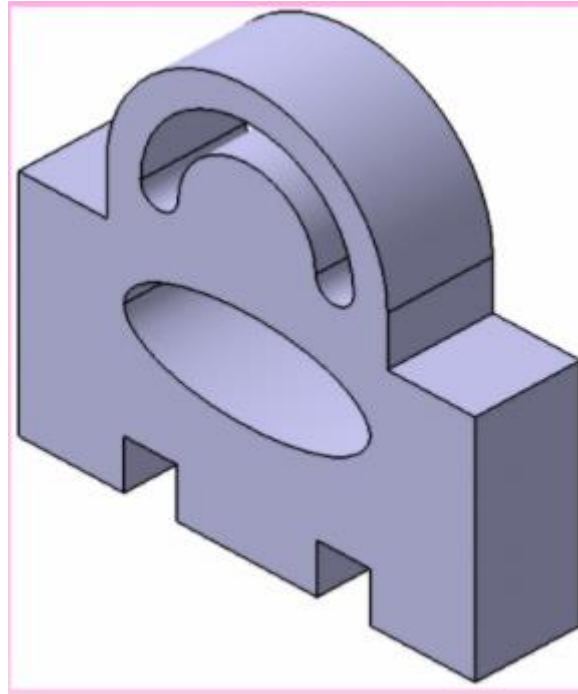
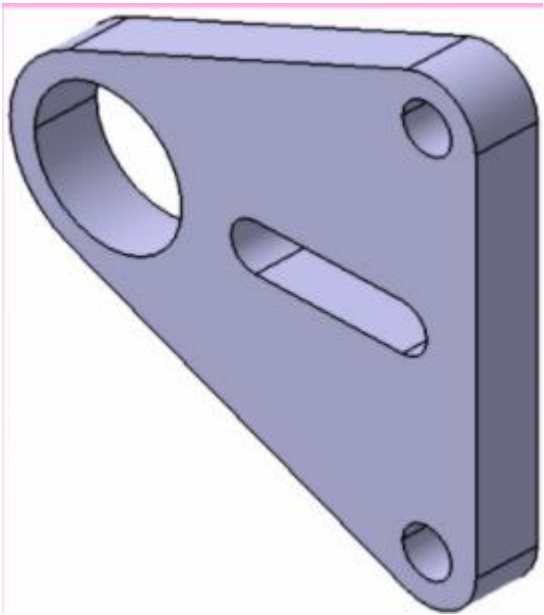
Start File Edit View Insert Tools Window Help

- Part1
 - xy plane
 - yz plane
 - zx plane
 - PartBody

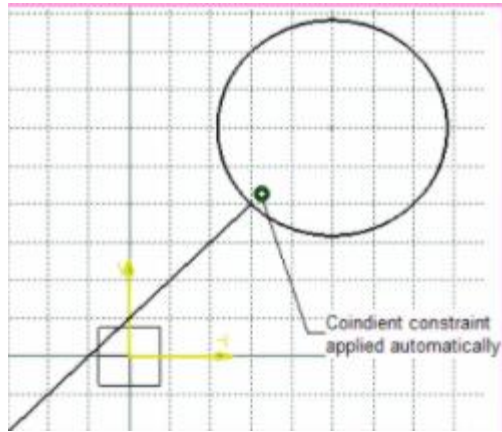
Select an object or a command

ÖRNEK UYGULAMALAR





GEOMETRICAL CONSTRAINTS



Dimensional Constraints

