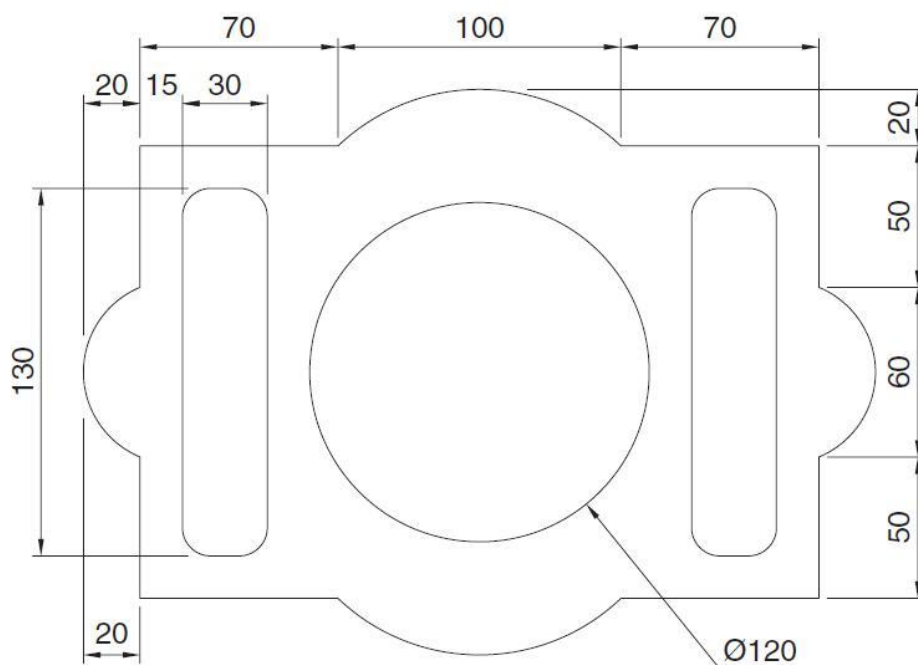
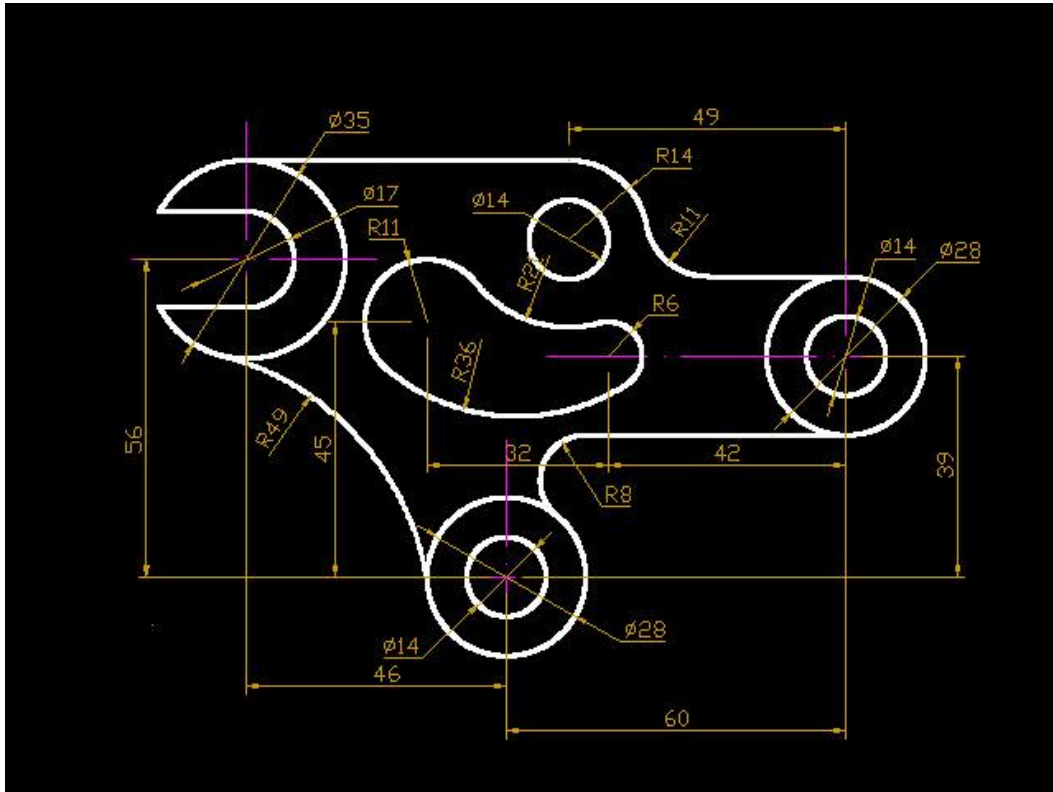


Application of Geometric Drawing

Sketch this figure below in AutoCAD



References:

<http://www.computeraideddesignguide.com/simple-exercise-autocad-beginners/>

Access Date : 31.01.2016