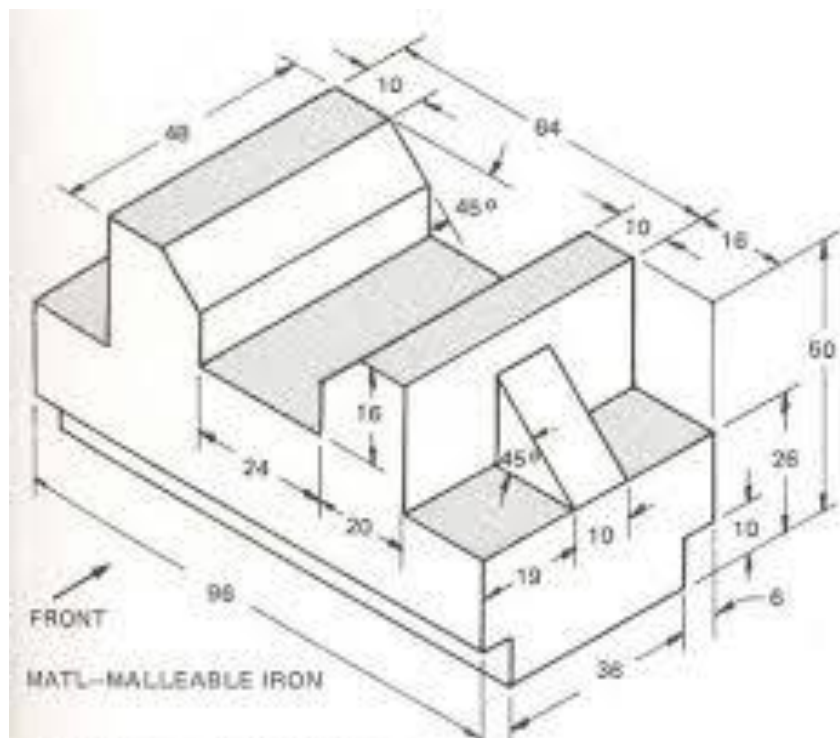
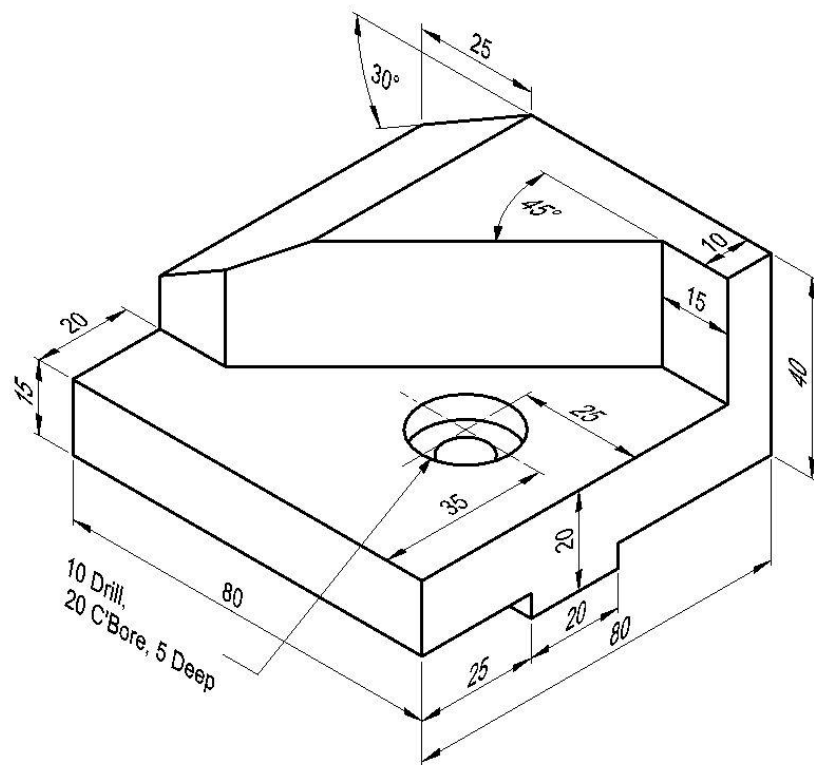


Application of Three View Drawing

Sketch the three view drawing figure below in AutoCAD



References:

<http://web.catics.org/edu/course/tuwen.php?id=2735> Access Date : 31.01.2017

<http://www.me.metu.edu.tr/courses/me113/web/documents.html> Access Date : 31.01.2017