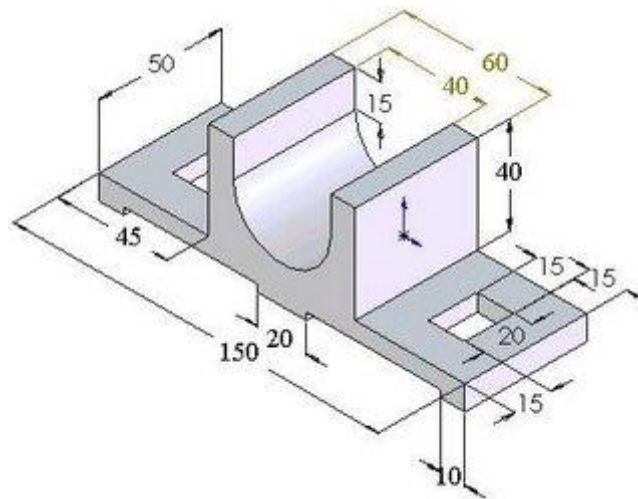
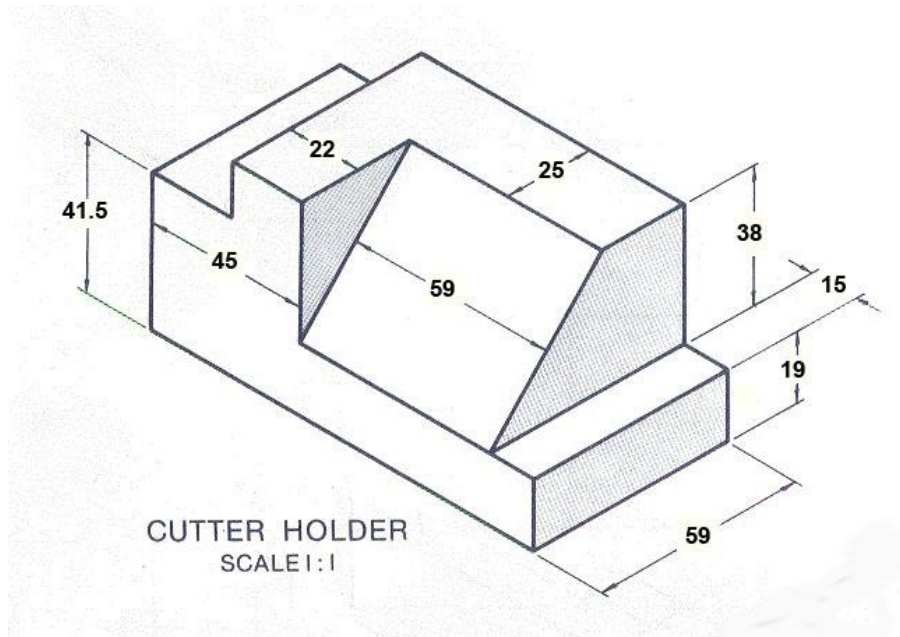


Application of Perspective Drawing

Sketch the perspective drawing figure below in AutoCAD



References:

<http://www.all4-you.com/isometric-drawing-exercises/pretty-isometric-drawing-exercises-picture/>

Access Date : 31.01.2017

<http://machinedrawing.blogspot.com.tr/2006/04/chapter7-part1.html> Access Date : 31.01.2017