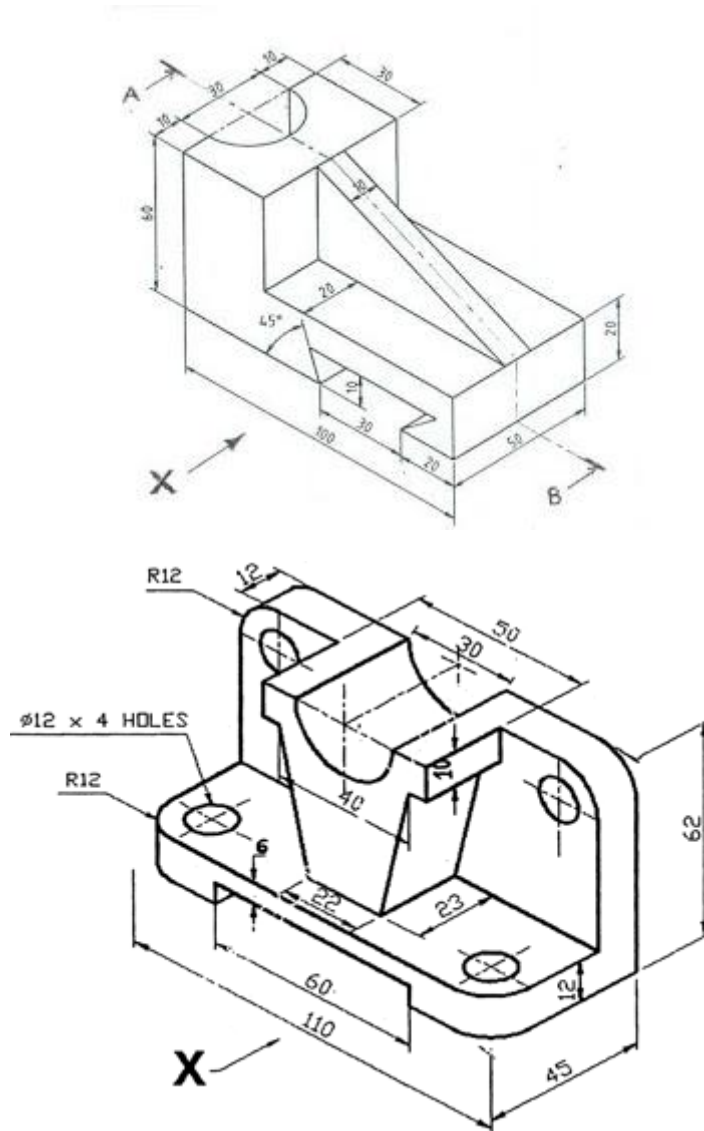


Application of Perspective Drawing

Sketch the perspective drawing figure below in AutoCAD



References:

<http://engg-drawing.blogspot.com.tr/2011/07/gtu-110013-engineering-graphics-dec.html>

Access Date : 31.01.2017

<http://www.ques10.com/p/1060/engineering-drawing-question-paper-dec-2014-firs-1/>

Access Date : 31.01.2017