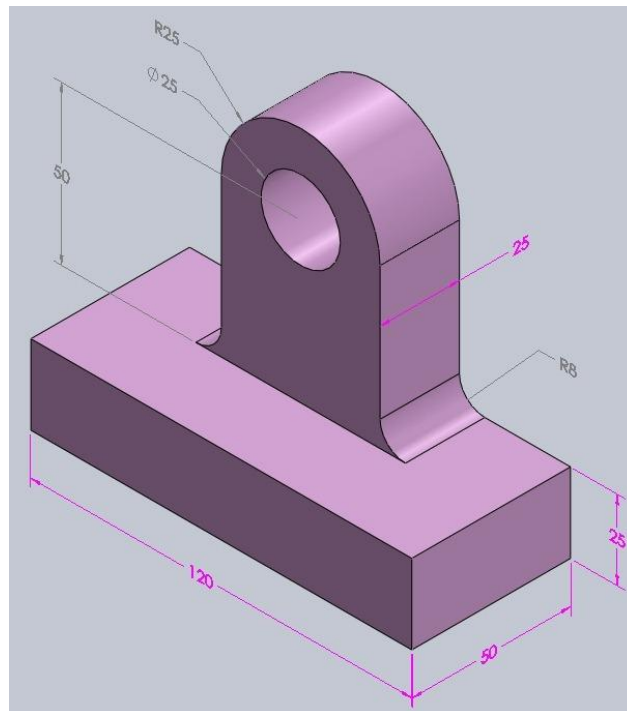
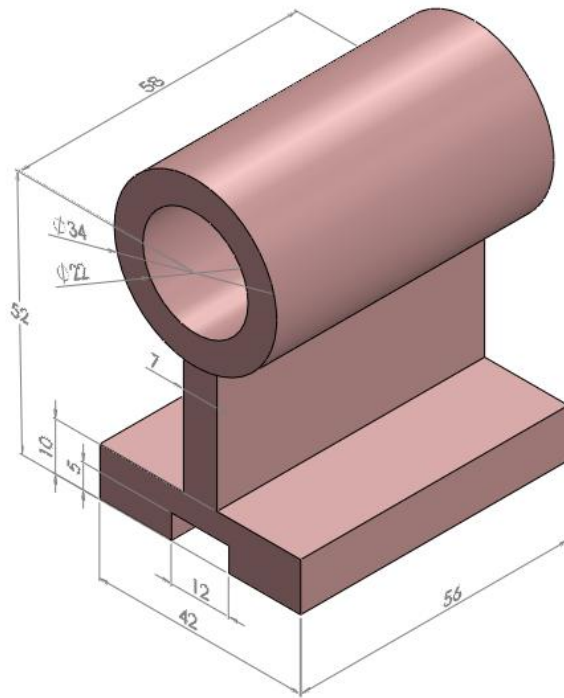


## Application of 3D Solid Modelling

Sketch these solid models in AutoCAD



### References:

[http://www.mapeng.net/news/mechanical\\_English\\_article/2012/11/mapeng\\_121122243327999.html](http://www.mapeng.net/news/mechanical_English_article/2012/11/mapeng_121122243327999.html)

Access Date : 31.01.2017

<http://www.mechanicalengineeringblog.com/3301-free-3d-cad-models-autocad-exercise-drawings-autocad-2012-exercises/>

Access Date : 31.01.2017