

# ZTM112 BİLGİSAYAR DESTEKLİ ÇİZİM TEKNİĞİ

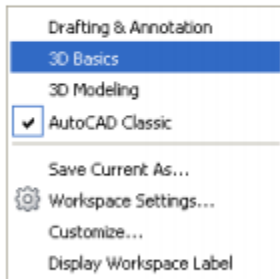
- Yrd.Doç.Dr.Caner KOÇ
- Ankara Üniversitesi Ziraat Fakültesi Tarım Makinaları ve Teknolojileri Mühendisliği Bölümü
- [ckoc@ankara.edu.tr](mailto:ckoc@ankara.edu.tr)

# AutoCAD 3D – 3D Arayüz

1. Click the Workspace Switching icon.

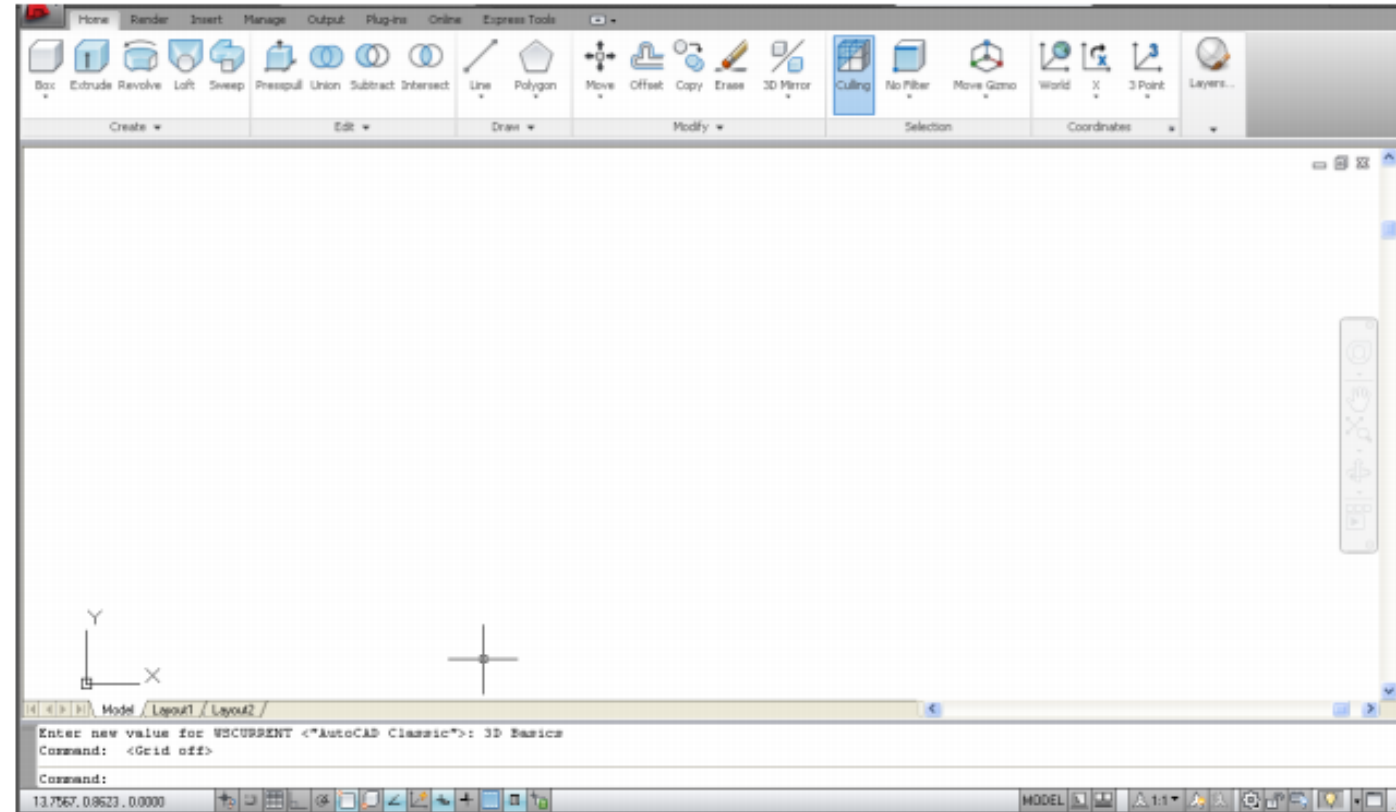


2. Click **3D Basics** and OK.



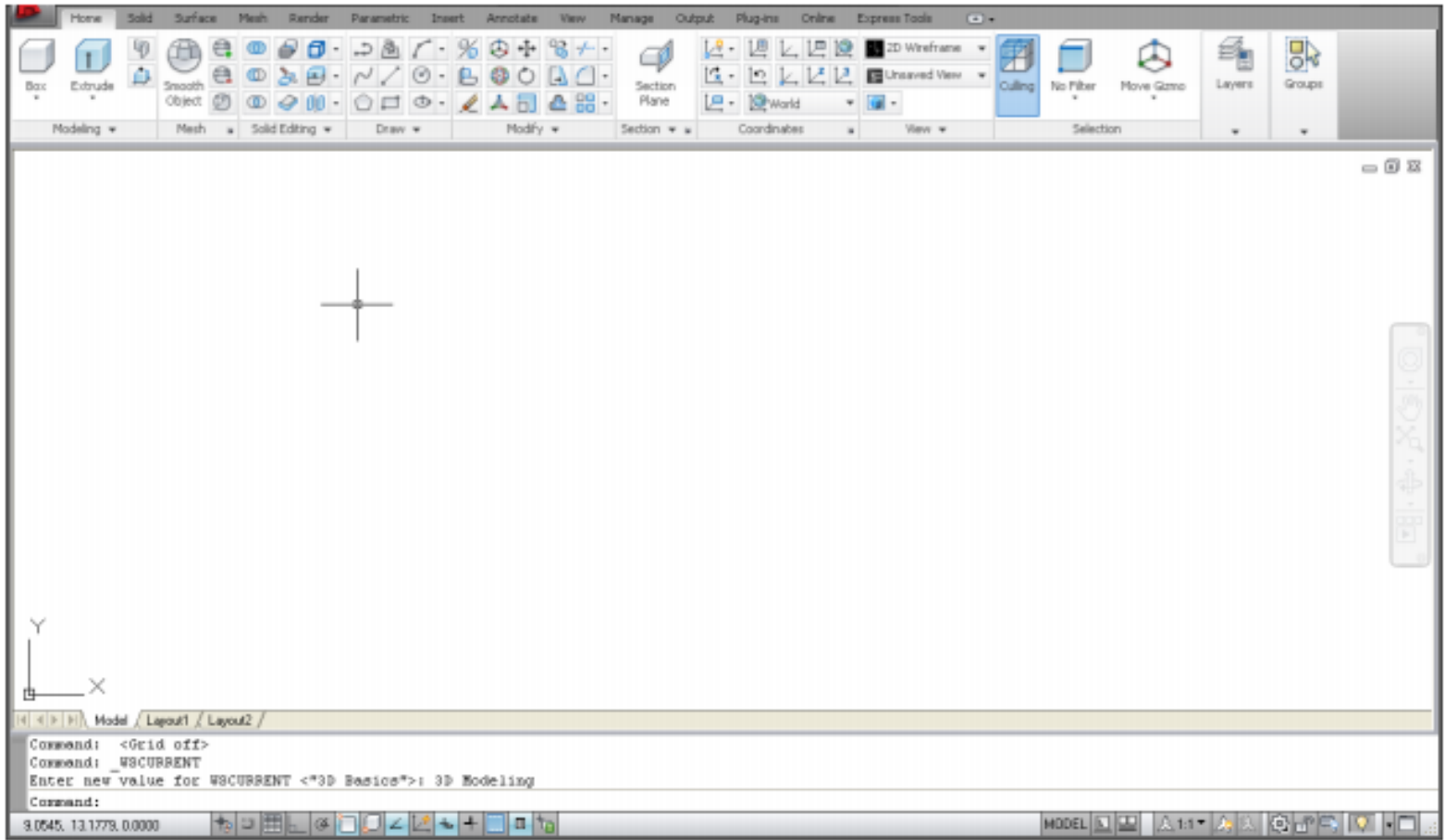
# 3D Temel Arayüzler

- ❑ Create
- ❑ Edit
- ❑ Draw
- ❑ Modify
- ❑ Selection
- ❑ Coordinates
- ❑ Layers and Views
- ❑ Home
- ❑ Render
- ❑ Insert
- ❑ Manage
- ❑ Output
- ❑ Plug-ins
- ❑ Online
- ❑ Express Tools

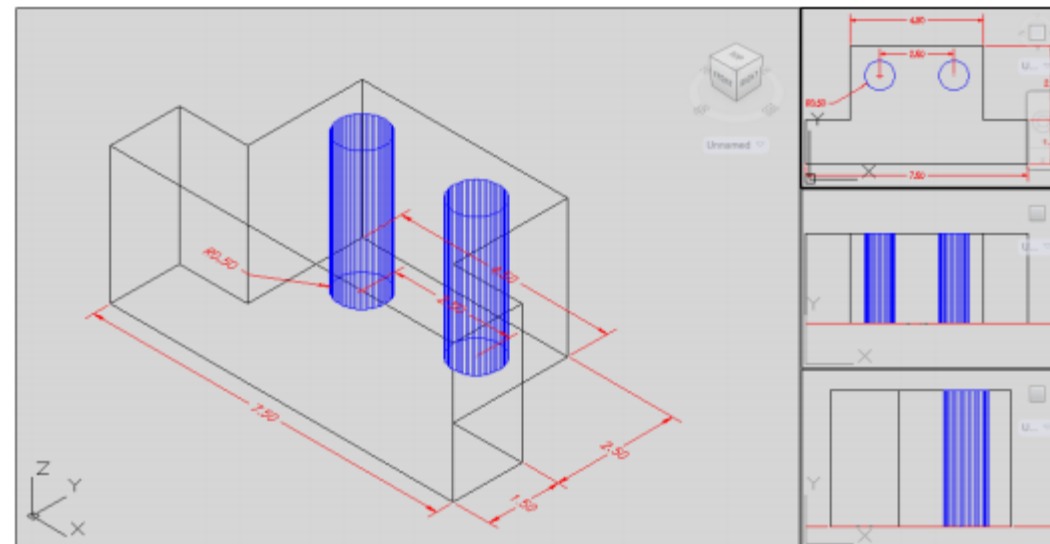
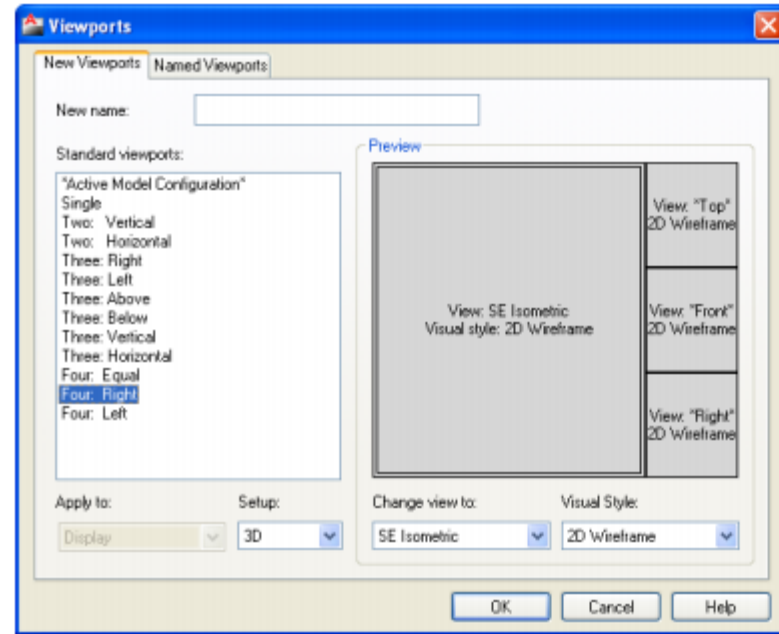


- ? Modeling
- ? Mesh
- ? Solid Editing
- ? Draw
- ? Modify
- ? Section
- ? Coordinates
- ? View
- ? Selection
- ? Layers and Groups

- ? Home
- ? Solid
- ? Surfaces
- ? Mesh
- ? Render
- ? Parametric
- ? Insert, Annotate, View, Manage, Output, Plug-ins, Online, and Express Tools

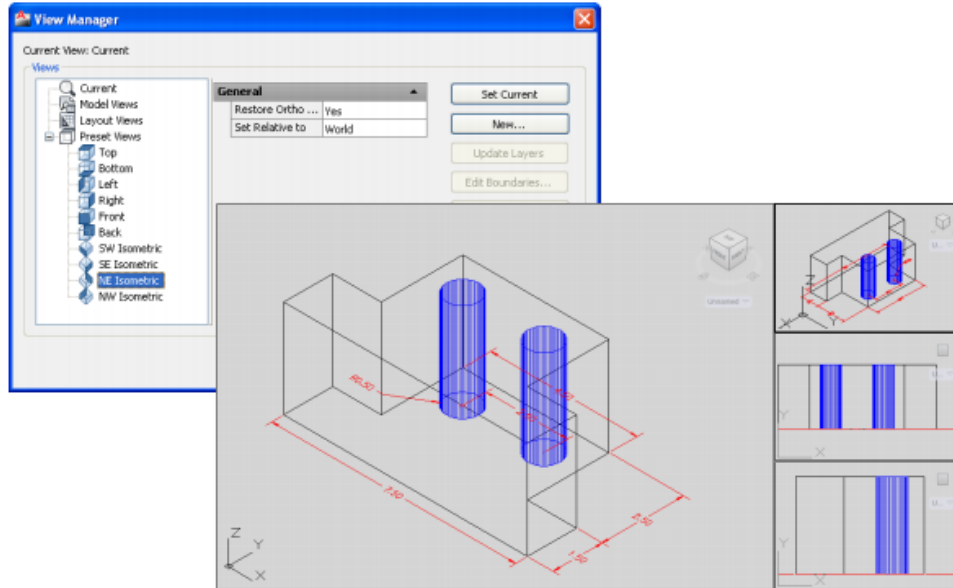


# 3D Viewports



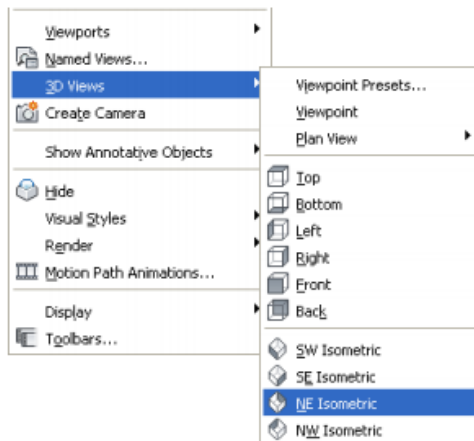
## 1.6 Named Views

1. Choose View, Named Views...
2. Click the plus (+) sign beside **Preset Views**.
3. Click NE Isometric, Set Current, Apply, and OK.



### Tip:

You can also choose View, 3D Views, and any of the preset 3D views.



# Steering Wheel

SteeringWheels are menus that track the cursor over the drawing window, and provide access to 2D and 3D navigation tools from a single interface.

SteeringWheels, or “wheels,” are divided into wedges; each wedge contains a single navigation tool. You can start a navigation tool by clicking a wedge or by clicking and dragging the cursor over a wedge.

## Full Navigation Wheel

1. Click the Full Navigation Wheel icon.



# Visual Styles Panel

