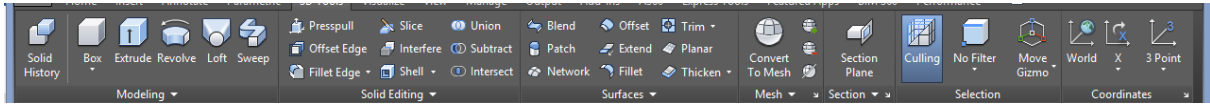


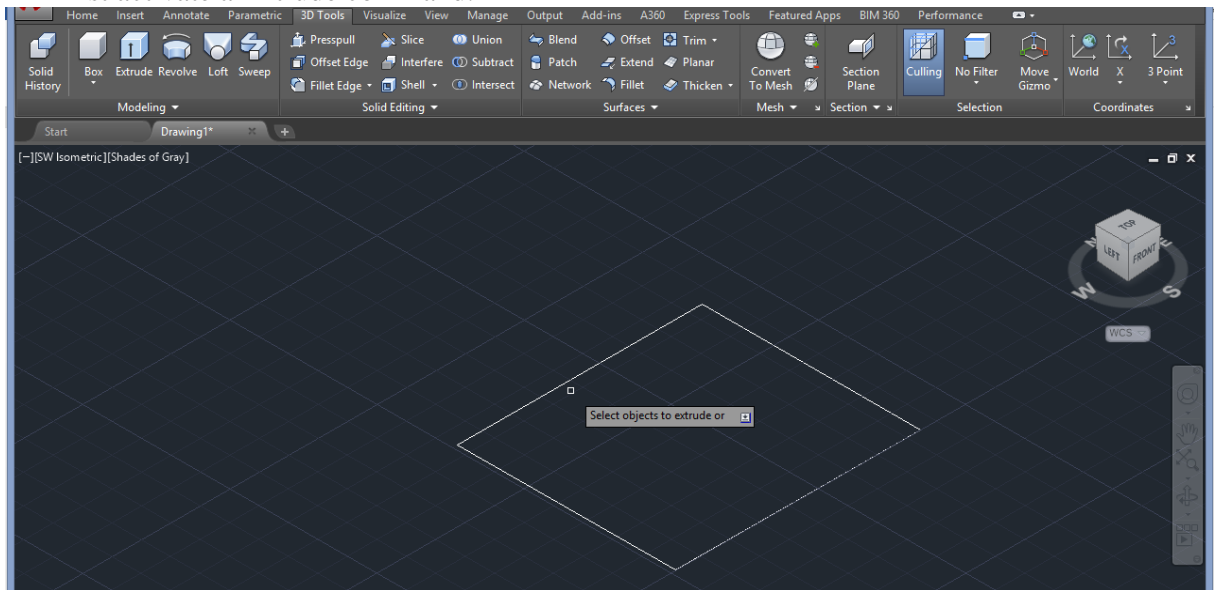
## Solid Drawing

In AutoCAD™, we use 2D models for create 3D models with the help of solid modelling tool such as extrude, revolve, sweep, loft, substract, intersect etc.

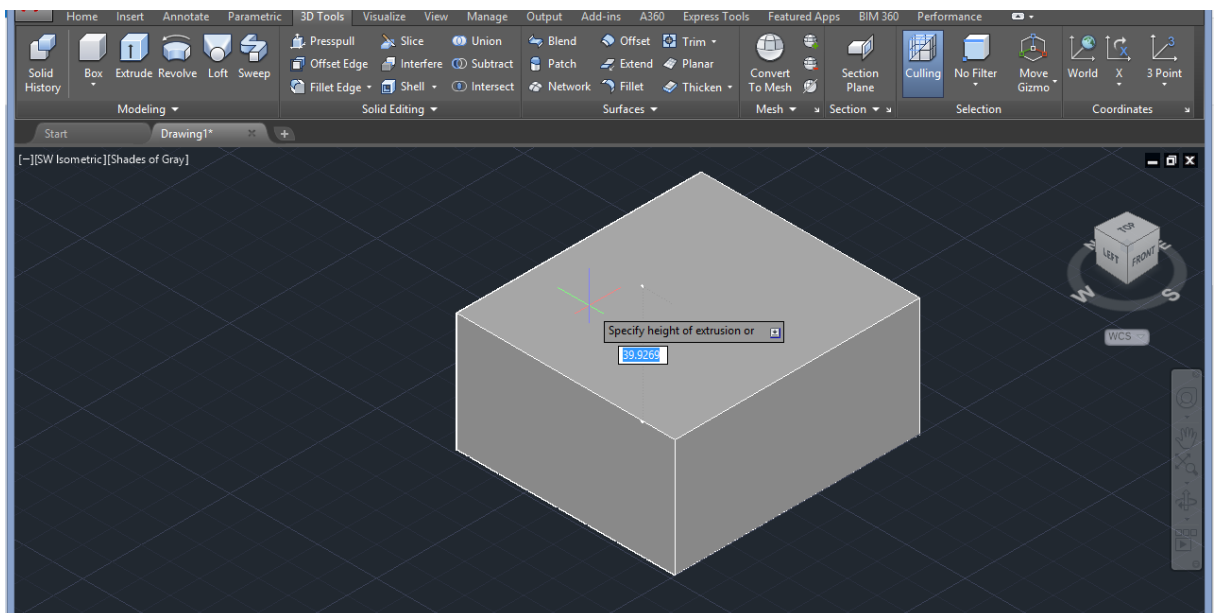


**Extrude:** Creates a 3D solid or surface by extruding a 2D or 3D curve.

- First activate a Extrude command.

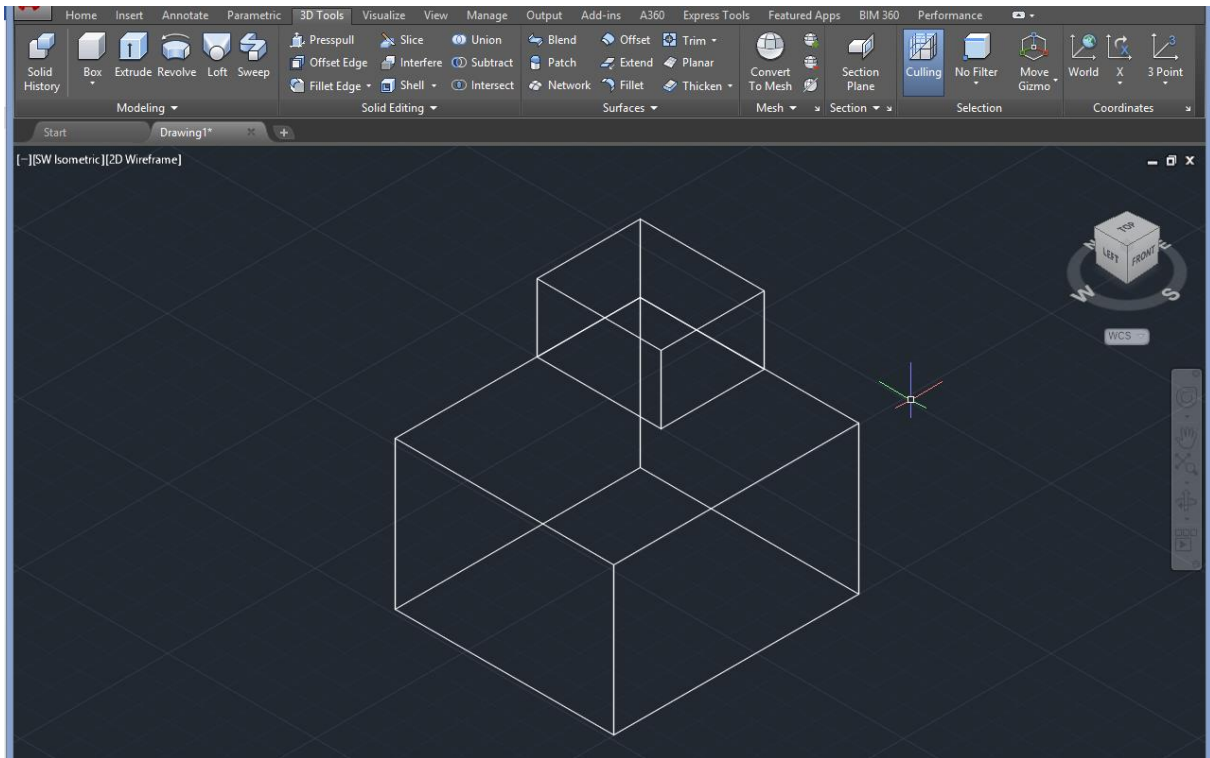


- Specify height of extrusion

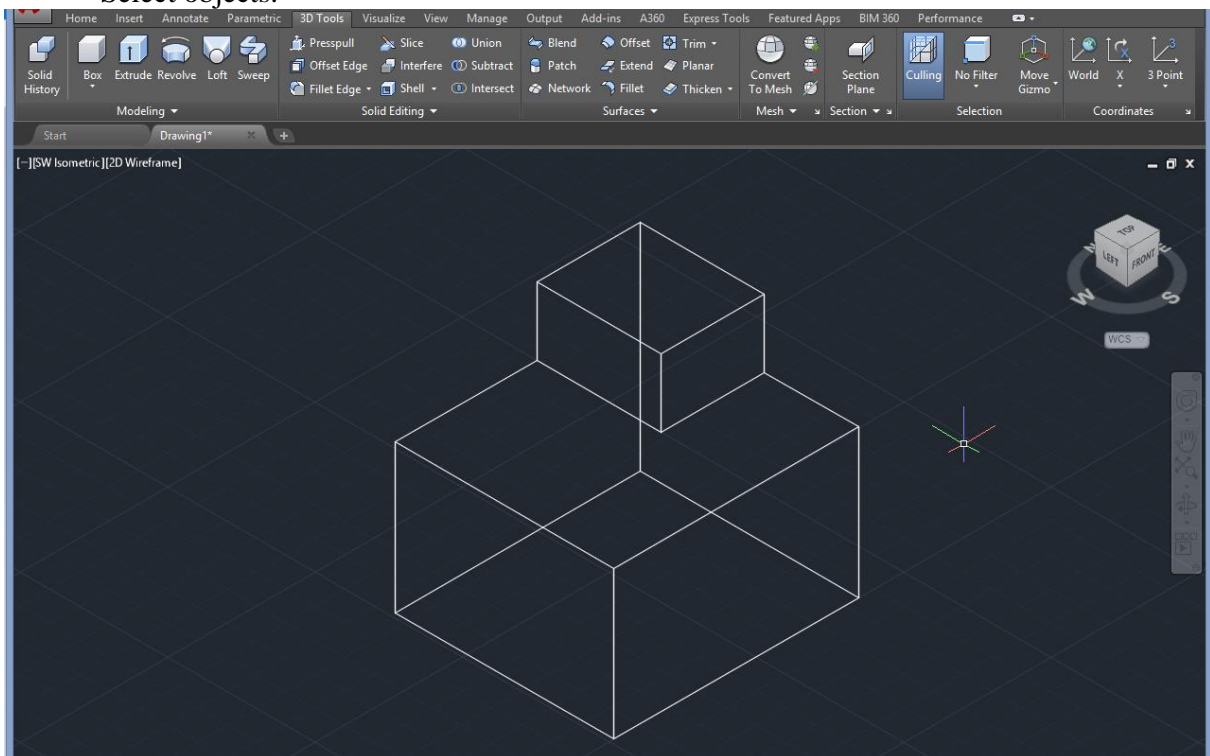


**Union:** Combines selected 3D solids.

- First activate Union command.

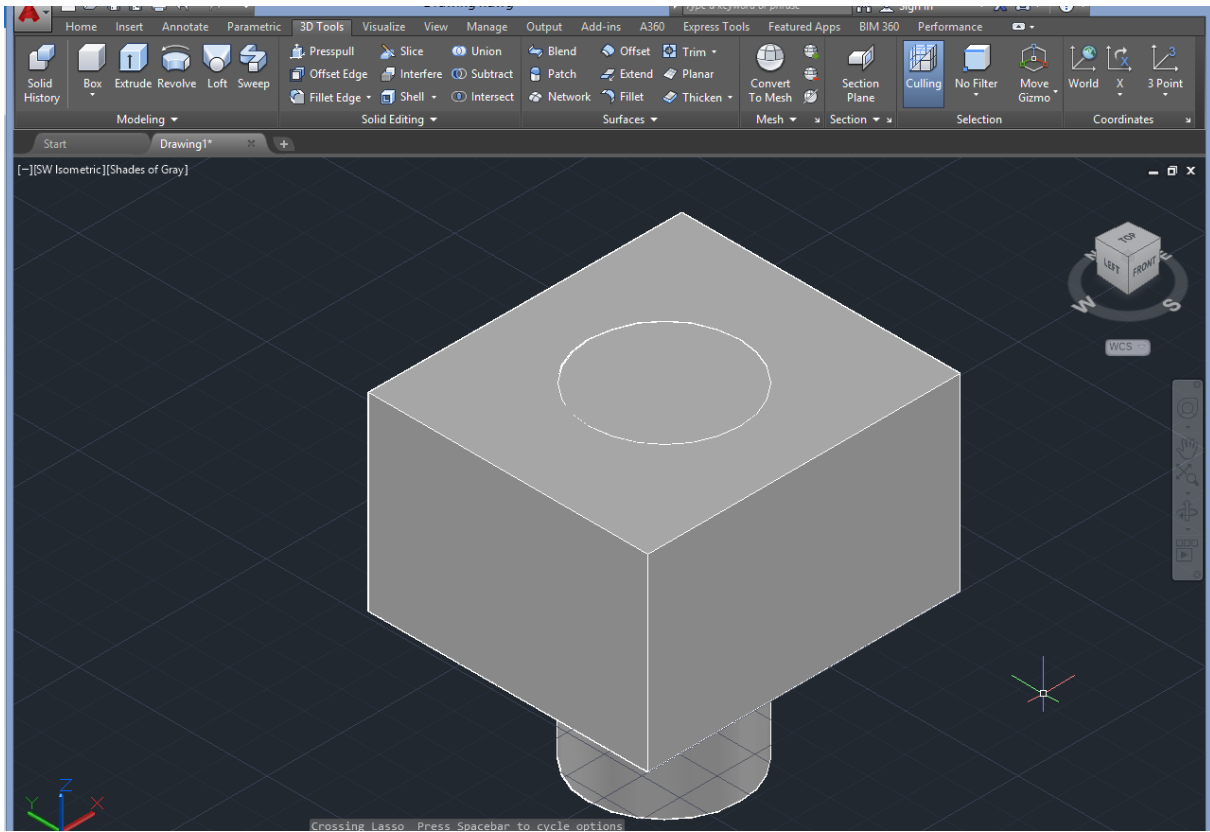


- Select objects.



**Subtract:** Combines selected 3D solids or 2D regions by subtracting.

- First select subtract command.



- Select original object.
- Select subtracted objects.

