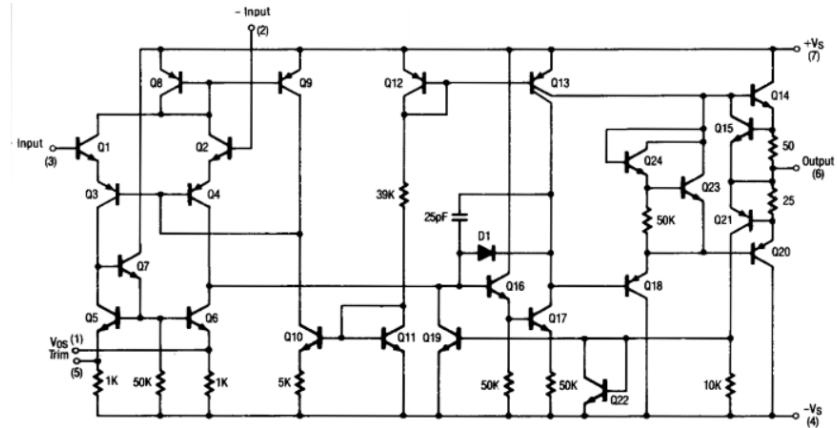
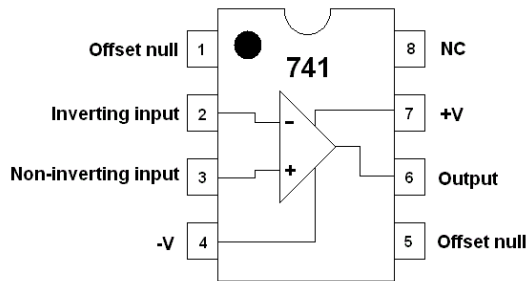
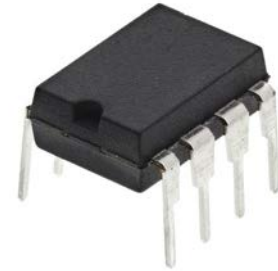
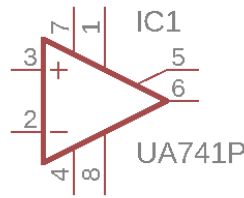
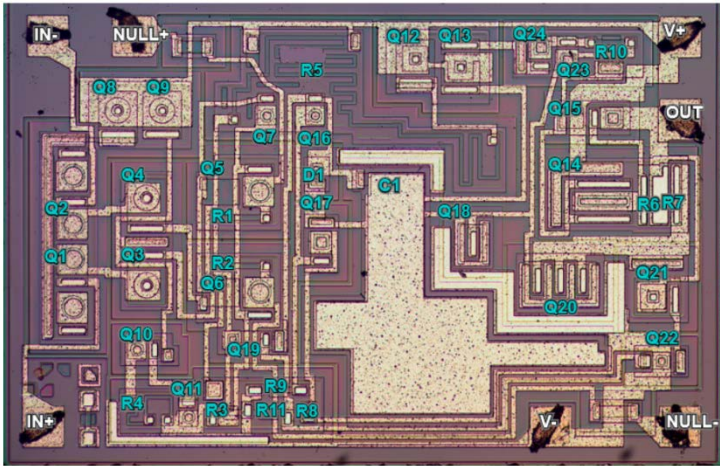


ELM320 ANALOG ELEKTRONİK

Ders Materyali

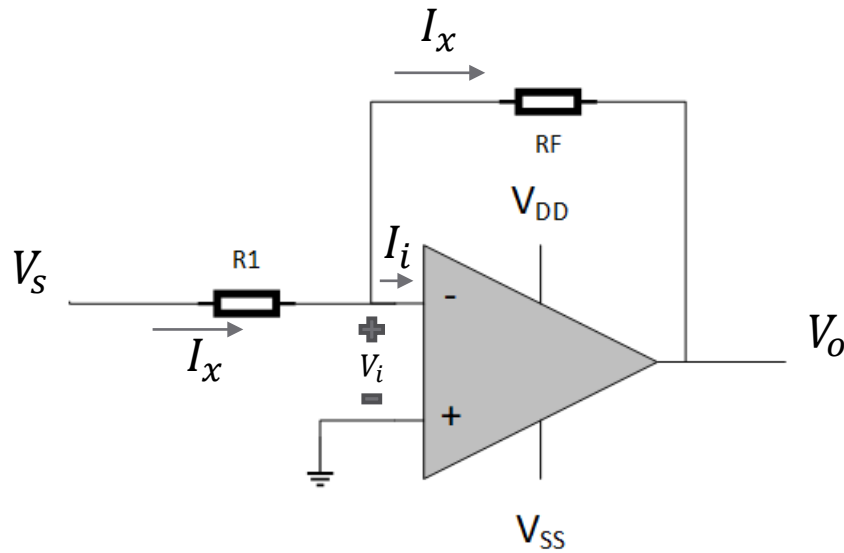
İŞLEMSEL YÜKSELTEÇ
BAĞLANTILARI

İŞLEMSEL YÜKSELTEÇ BAĞLANTILARI



İŞLEMSEL YÜKSELTEÇ BAĞLANTILARI

Eviren yükselteç:



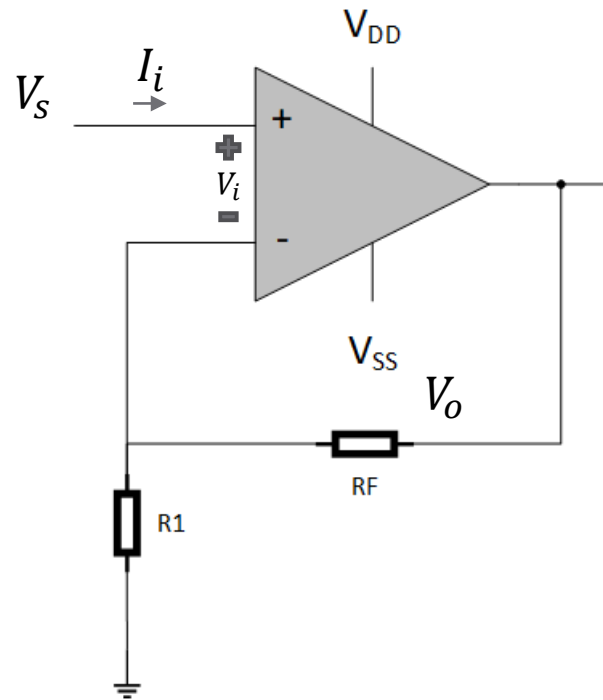
$$V_i \cong 0V$$

$$I_i \cong 0A$$

$$V_o = -\frac{RF}{R1} V_s$$

İŞLEMSEL YÜKSELTEÇ BAĞLANTILARI

Evirmeyen yükselteç:



$$V_i \cong 0V$$

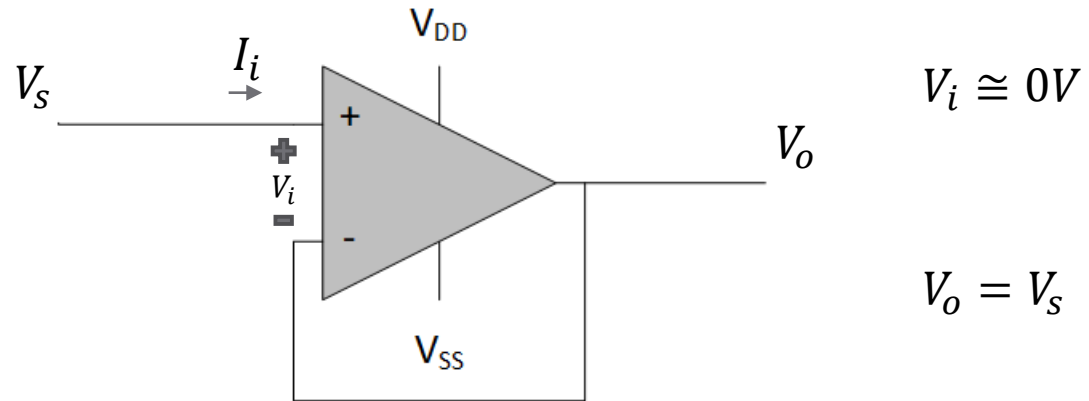
$$I_i \cong 0A$$

$$V_{R1} = V_S$$

$$V_o = \left(1 + \frac{RF}{R1}\right) V_S$$

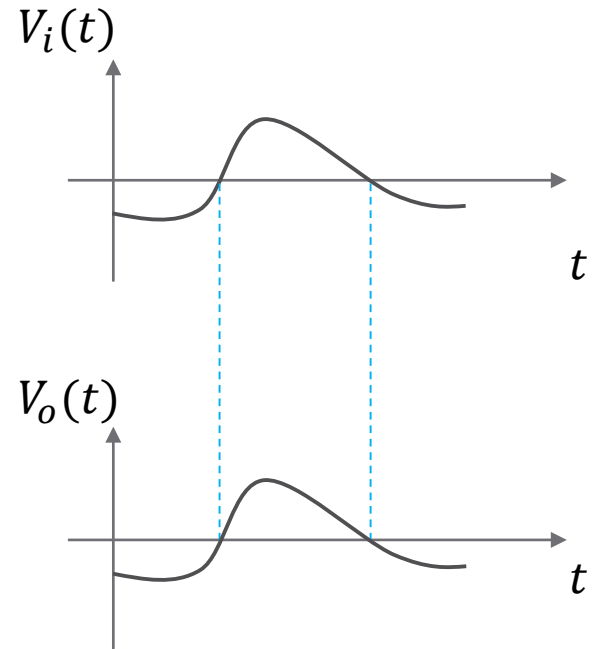
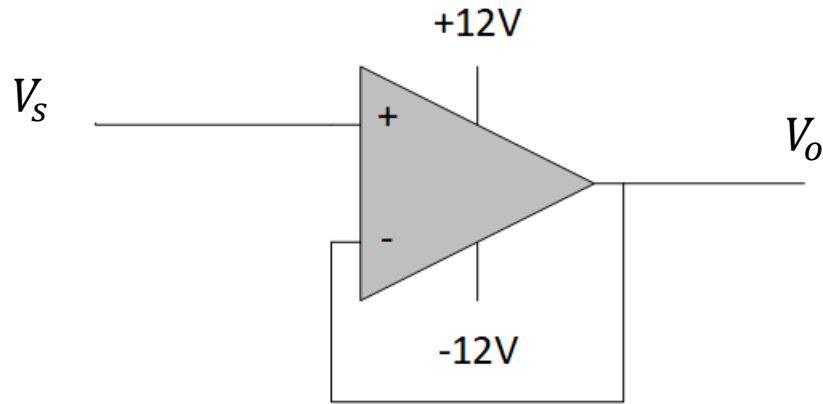
İŞLEMSEL YÜKSELTEÇ BAĞLANTILARI

Tampon yükselteç:



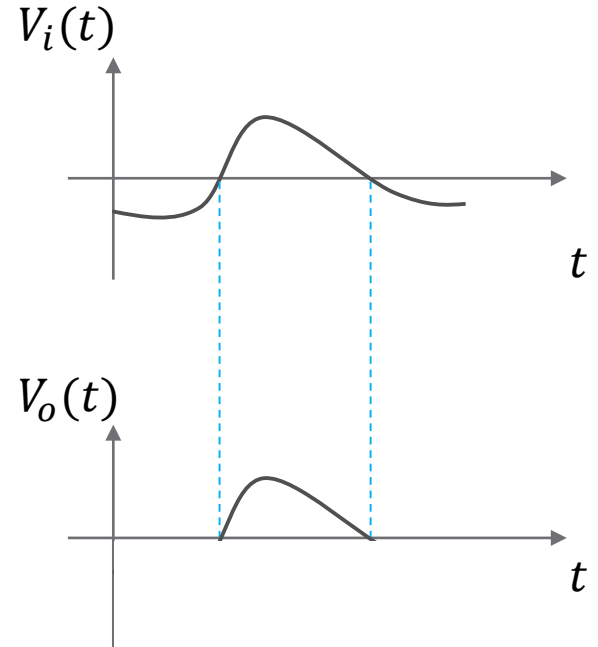
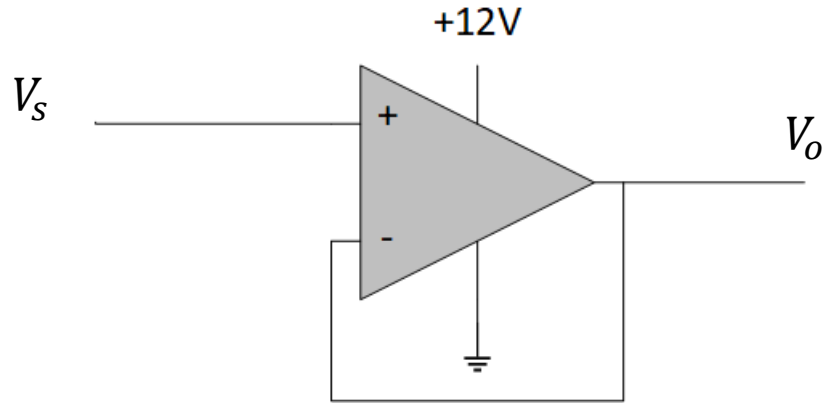
İŞLEMSEL YÜKSELTEÇ BAĞLANTILARI

İşlemsel yükseltecin beslemesi:



İŞLEMSEL YÜKSELTEÇ BAĞLANTILARI

İşlemsel yükseltecin beslemesi:



KAYNAKLAR

- Robert Boylestad, Louis Nashelsky, Electronic Devices and Circuit Theory, Prentice Hall, 1998.
- Art Kay, Timothy Claycomb, TI Designs –Precision: VerifiedDesignComparator with HysteresisReference Design, Texas Instruments Application Note, TIDU020A, 2013.
- Electronics tutorials website: <https://www.electronics-tutorials.ws>
- Tim Regan, Jon MunsonGreg Zimmer, Michael Stokowski, Current Sense Circuit Collection, Linear Technology Application Note 105 (an105fa), 2005.
- Neil Zhao, Wenshuai Liao, and Henri Sino, High-Side Current Sensing with Wide Dynamic Range: Three Solutions, Analog Dialogue 44-12, December 2010.
- CircuitsToday website: <http://www.circuitstoday.com/log-amplifier>
- Learning about Electronics website: <http://www.learningaboutelectronics.com/Articles/Difference-between-a-single-and-dual-supply-op-amp.php>
- OKAWA Electric Design website: <http://sim.okawa-denshi.jp/en/>
- Analog Devices website: <https://www.analog.com/designtools/en/filterwizard/>
- Hank Zumbahlen, Multiple Feedback Filters, Analog Devices Mini Tutorial (MT-220), 2012.
- Website: <http://www.righto.com/2015/10/inside-ubiquitous-741-op-amp-circuits.html>
- Ron Mancini and Richard Palmer, Sine-Wave Oscillator, Texas Instruments Application Report, SLOA060, 2001.