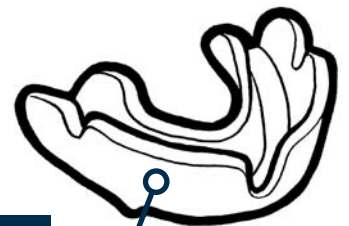
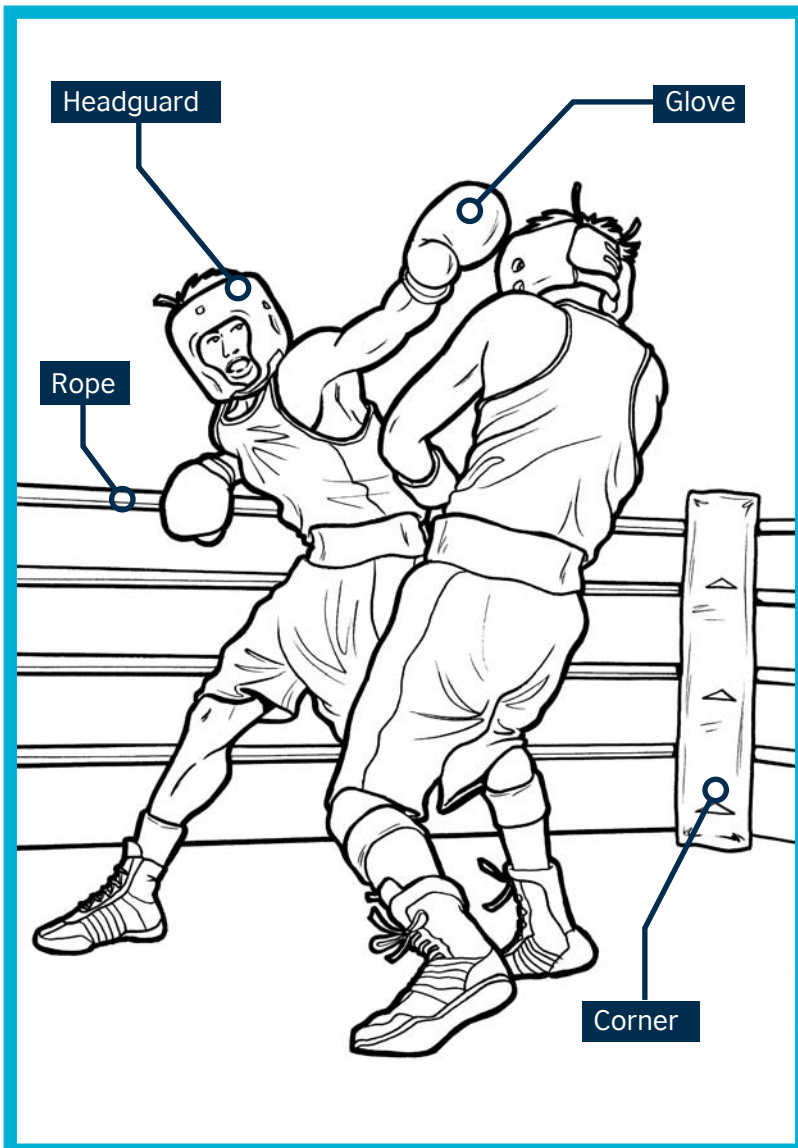


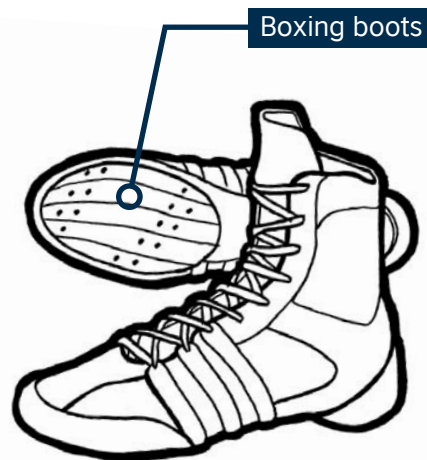
# Boxing

When athletes come together from around the world to compete in the Olympic and Paralympic Games, they are fulfilling their dreams and competing at the highest level. Billions of people across the globe join in; watching, listening to and reading about the greatest global celebration of sport. To celebrate the London 2012 Games, the British Council is making a wide range of classroom resources available for learners of English worldwide.

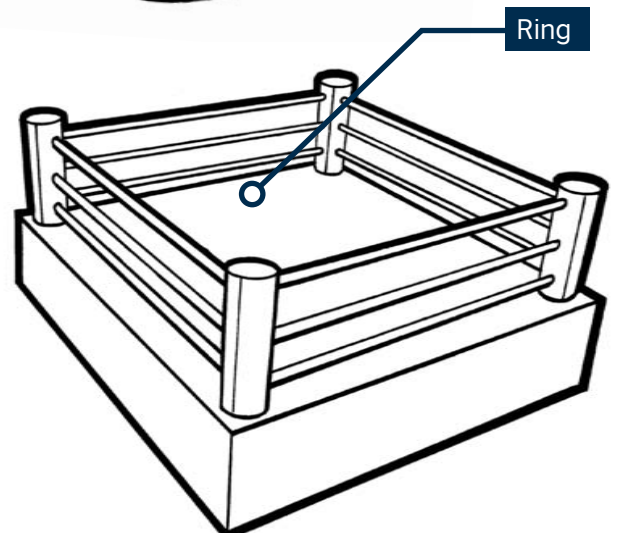
What do you know about boxing? Do you like this sport? Why / why not? Not everyone supports professional boxing. Do you know the differences between professional boxing and Olympic boxing? Have you ever tried it? Can you name any famous boxers?



Mouthpiece



Boxing boots

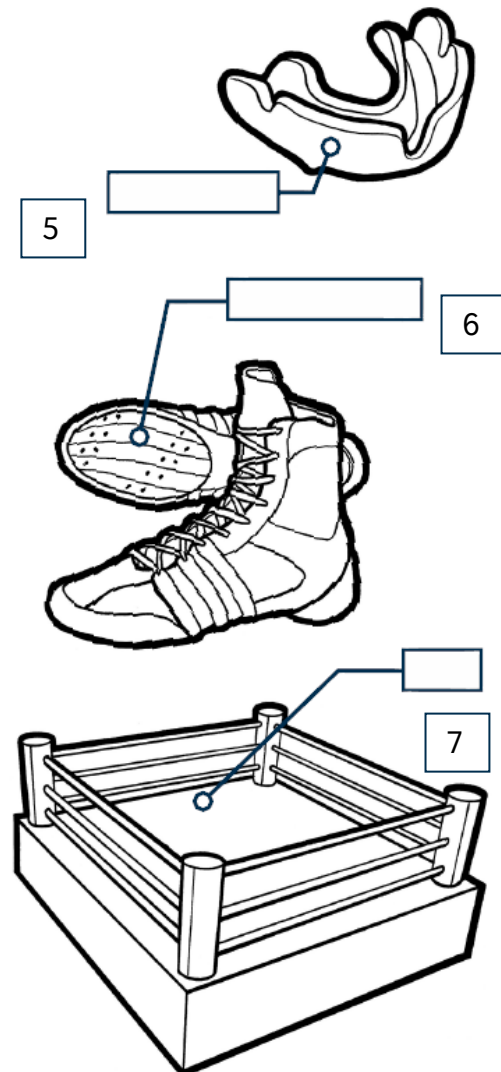
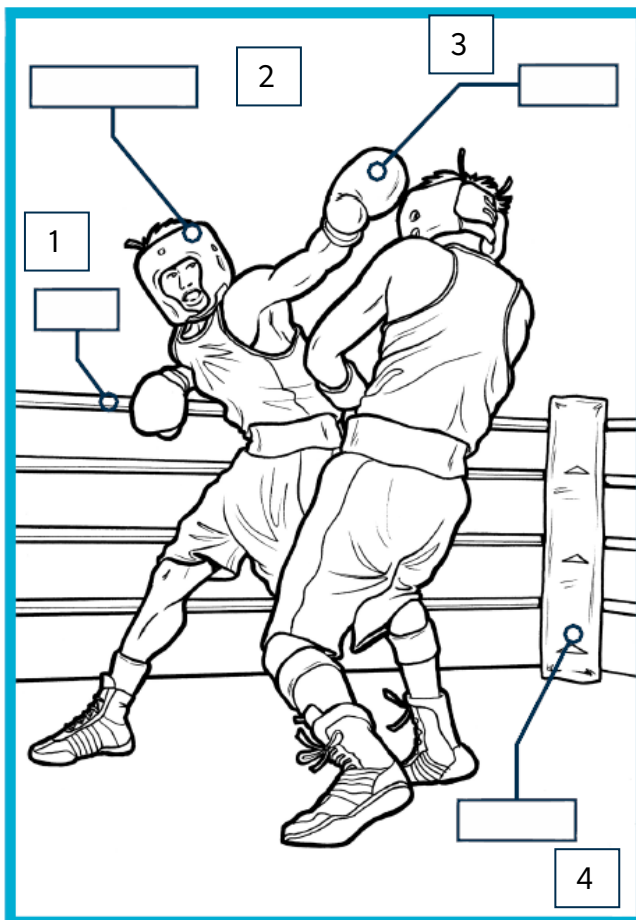


Ring

1. Vocabulary

a. Write the correct words in the spaces provided.

a. rope	b. headguard	c. mouthpiece	d. ring
e. corner	f. glove	g. boxing boots	



## 2. The rules of boxing

- Boxing is a sport where two athletes (male or female) fight each other in an area called a ring.
- The ring is square with posts in each corner which are connected by four ropes.
- The fight is divided into three periods of three minutes each. These are called rounds.
- At the end of each round each boxer goes back to his corner to rest for one minute.
- The fighters wear gloves, a protective headguard, and a mouthpiece, or gum shield, to protect their teeth. They must punch each other on the head or body.
- Each valid punch scores one point. There are five judges.
- There is a referee who checks that the boxers obey the rules.
- A fighter wins if he has more points than his opponent at the end of the fight, or if he knocks him out.
- The referee can stop the fight at any time if he thinks one boxer is not able to continue.

### a. Match the words in the table with their definitions below.

a. corner	b. glove	c. headguard	d. knockout (KO)
e. mouthpiece	f. punch	g. ring	h. round

1. A device to protect your teeth
2. Something you wear to protect your hand and the other fighter when you hit them
3. A strong hard hat that covers and protects your head
4. Hitting your opponent so he/she falls to the ground and can't get up again in 10 seconds
5. One of the periods of time when the boxers are fighting
6. The place where the boxing match takes place
7. To hit your opponent
8. Where the fighters rest between rounds

## 2. Questions & Answers

**Boxing? That's not really a sport, is it? It's just two guys fighting. If they did that in the street they'd be arrested, wouldn't they?**

Not just two guys.

**What do you mean? Boxing matches sometimes have more than two guys?**

No, I mean not just guys. Women's boxing is included for the first time in the programme for London 2012.

**Really? I didn't know that.**

No? Well, anyway, it's been an Olympic sport since 1904, and was also one of the sports in the ancient Olympics.

**Wasn't Hercules in the ancient Olympics? You wouldn't want to have to fight him, would you?**

Hmm ... Hercules was actually a myth, and a Roman myth! Though his name did come from the Greek 'Heracles'. Maybe you're thinking of Diagoras?

**Who?**

Diagoras of Rhodes. He was probably the most famous boxer in the history of the ancient Olympics. He won twice and all three of his sons were also Olympic champions. There's even a football club and an airport named after him.

**Never heard of him, but that's impressive. There's nobody like that in the modern Olympics, is there?**

Well, some pretty tough guys have also competed at the modern Olympics.

**Yeah? Like who?**

Cassius Clay (later called Muhammad Ali), George Foreman, Oscar de la Hoya, Lennox Lewis, just to name four.

**Ah, so it's a good thing to put on your CV if you want to become professional?**

Indeed. But not all Olympic boxing champions become professionals.

**Really? Like who?**

Well, Teofilo Stevenson, for example. He was from Cuba and was Olympic heavyweight champion three times. He was offered a million dollars to fight Muhammad Ali, but he refused, saying "What is one million dollars compared to the love of eight million Cubans?"

**I see. So he spent his life getting punched but was much loved for it?**

That's right, though I don't think he got punched every often!

### Glossary

**Myth:** a traditional story, usually involving gods and heroes

**To named something or someone after someone:** to give someone or something the same name as another person or thing

**A good thing to put on your CV:** a job, qualification or achievement that will help to get a better job in the future

**a. Decide if the following statements about the text are true or false.**

1. Until now only men have competed in the Olympic boxing programme.
2. Hercules competed in the ancient Olympics.
3. There's a football club and an airport both called 'Diagoras'.
4. You must win an Olympic boxing medal to become a professional boxer.
5. Teofilo Stevenson thought there were more important things than money.
6. Teofilo Stevenson was a very good boxer.

True	False

**b. Complete each question by following the instructions below.**

Look at the following examples, which use the verb 'get' and the past participle in the passive voice.

So he spent his life **getting punched** but was much loved for it?  
I don't think he **got punched** every often!

Complete the second sentence of each question so that it has the same meaning as the first sentence. Use the correct forms of the words in brackets in each case.

1. The police caught the burglar as he was leaving the house.  
The burglar (.....1.....) (get/catch) by the police as he was leaving the house.
2. Sunderland were beating Manchester United at half time.  
Manchester United (.....2.....) (get/beat) by Sunderland at half time.
3. The teacher will punish him for his bad behaviour.  
He (.....3.....) (get/punish) by the teacher for his bad behaviour.
4. The cold weather is damaging the vegetables.  
The vegetables (.....4.....) (get/damage) by the cold weather.
5. She was very lucky. The lion might have killed her.  
She was very lucky. She (.....5.....) (get/kill) by the lion.

## 4. Solution

### Exercise 1a

1. a; 2. b; 3. f; 4. e; 5. c; 6.g; 7. d

### Exercise 2a

1. e; 2. b; 3. c; 4. d; 5. h; 6. g; 7. f; 8. a

### Exercise 3a

1. True. Women's boxing is included for the first time in the programme for London 2012.
2. False. Hercules was not a real person – he was a myth.
3. True. There's a football club and an airport named after him.
4. False. The text says "it's a good idea", but not that it is obligatory.
5. True. He believed that the love of eight million Cubans was more important than a million dollars.
6. True. He won three gold medals, got offered a million dollars to fight and didn't get punched very much.

### Exercise 3b

1. got caught; 2. was/were getting beaten; 3. will get punished; 4. are getting damaged;
5. might have got killed