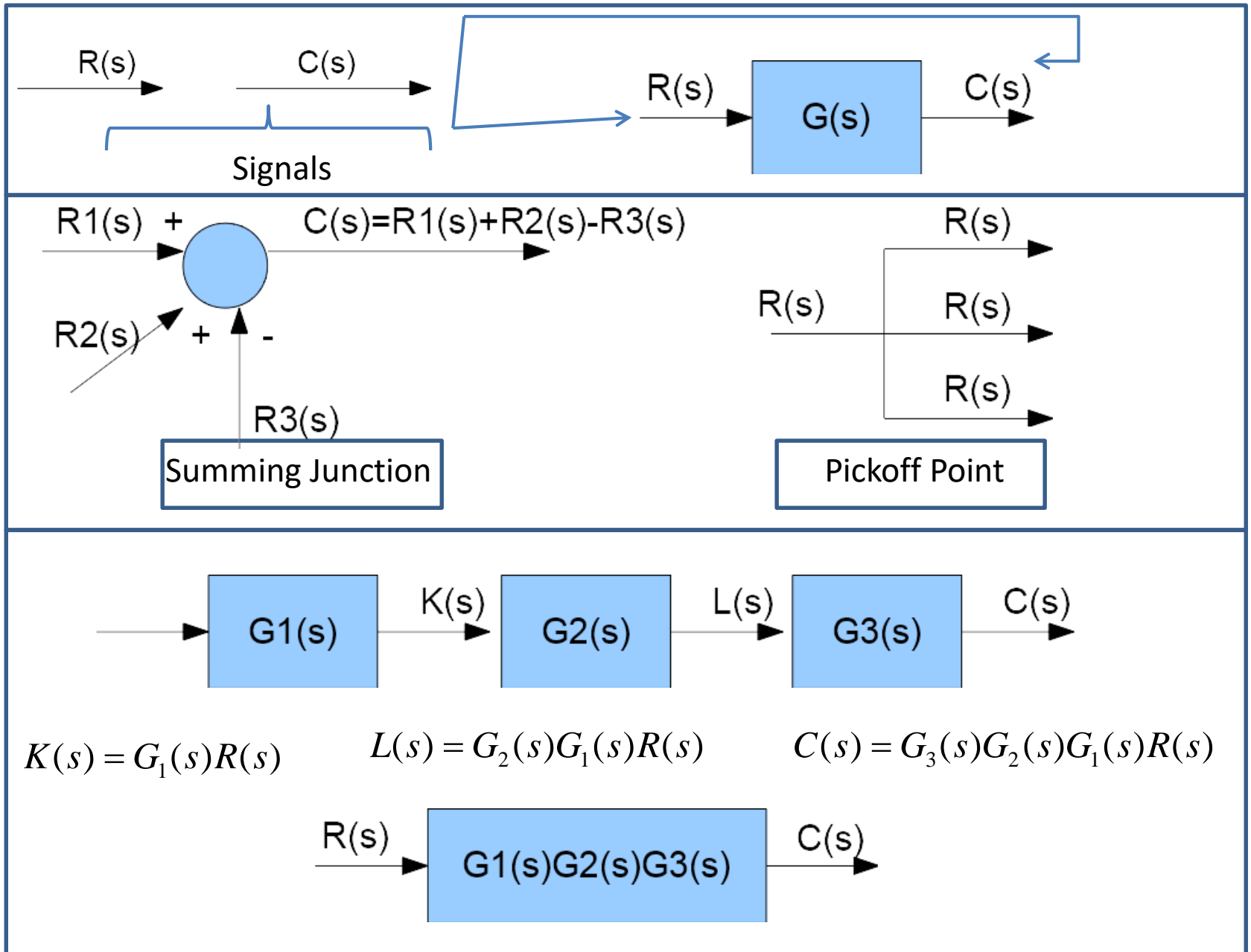
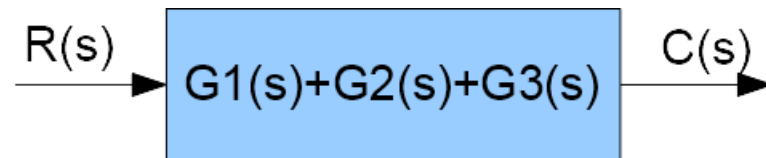
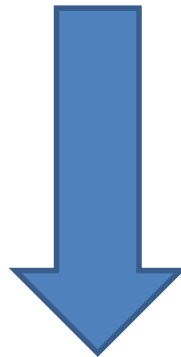
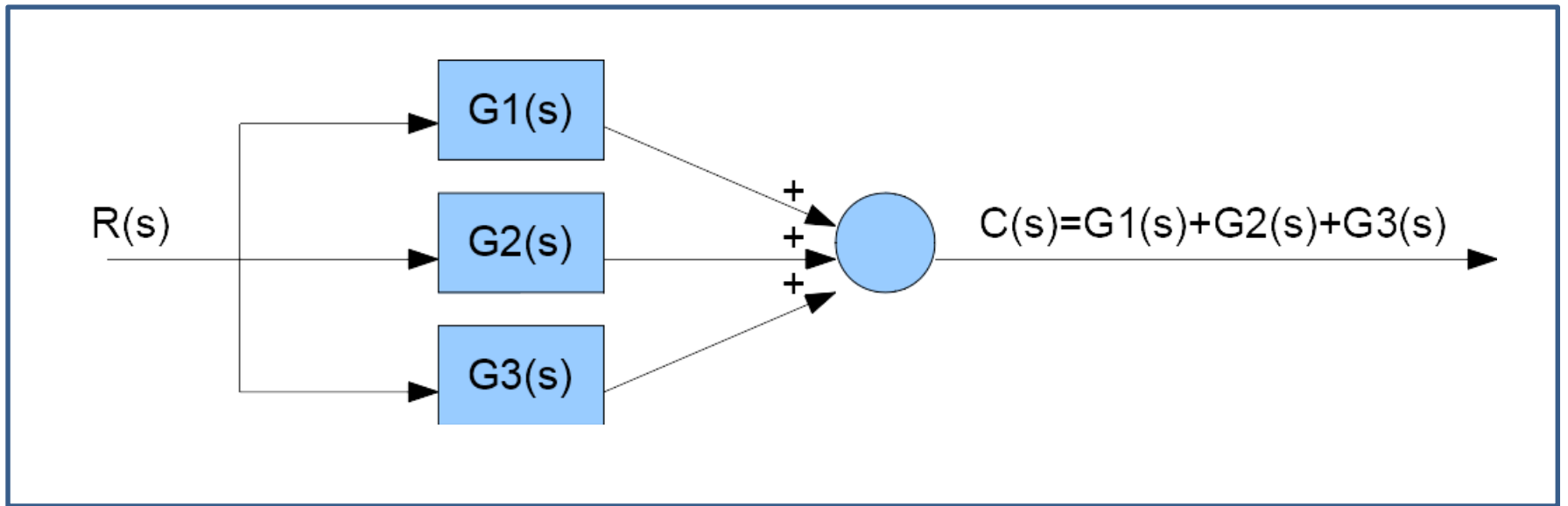


FEEDBACK CONTROL SYSTEMS

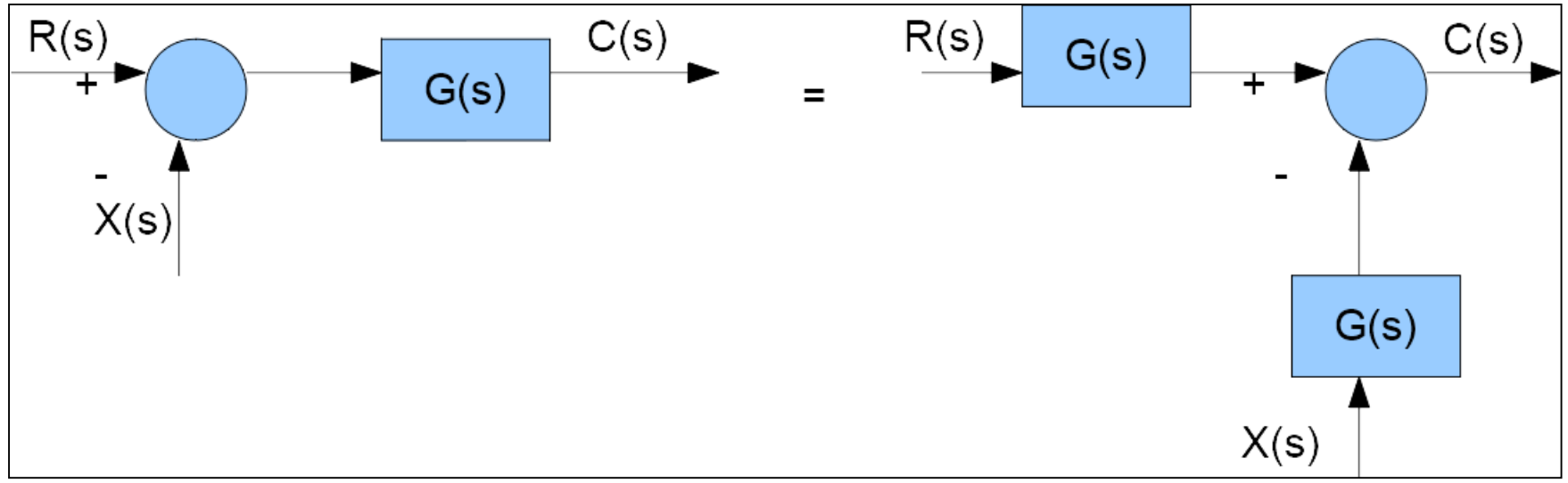
LECTURE NOTES-4

Block Diagrams

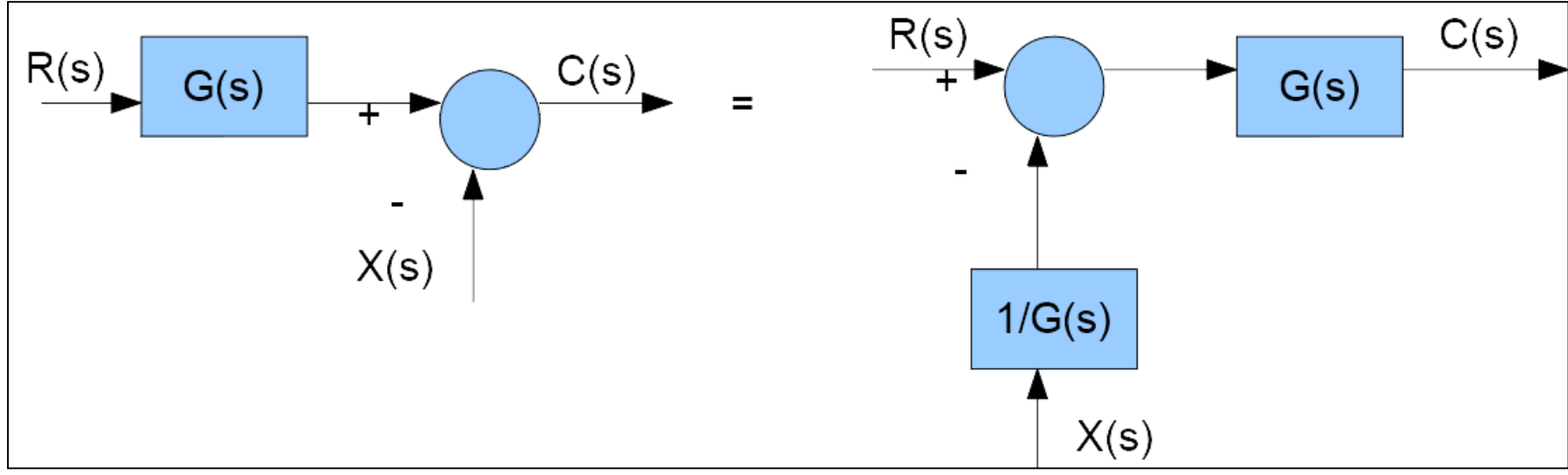




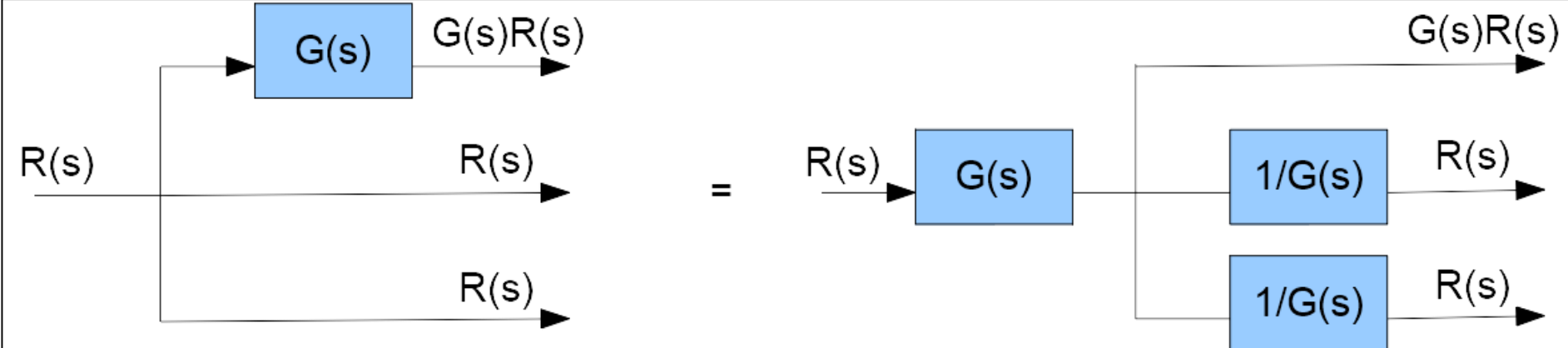
(A)



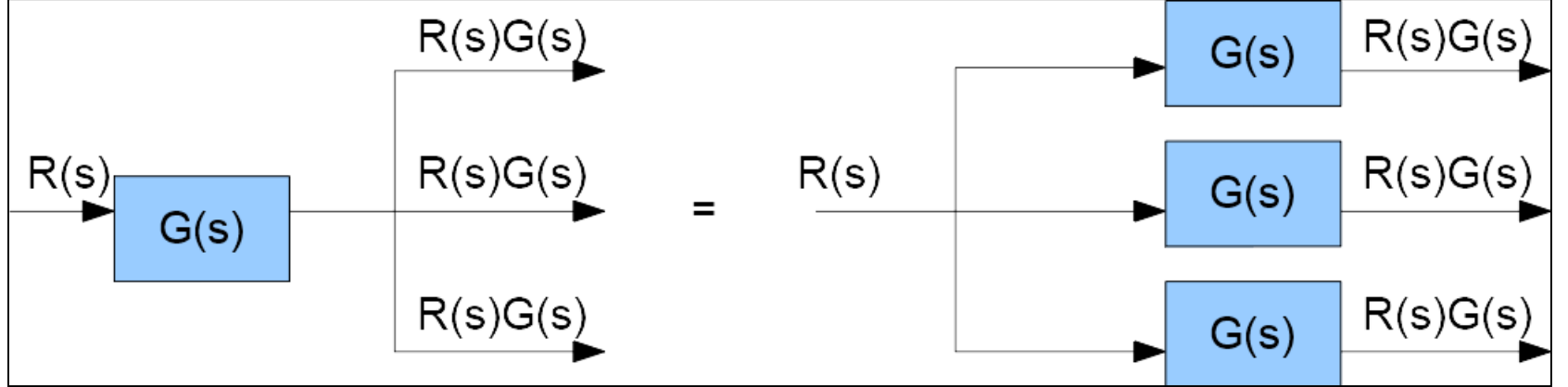
(B)

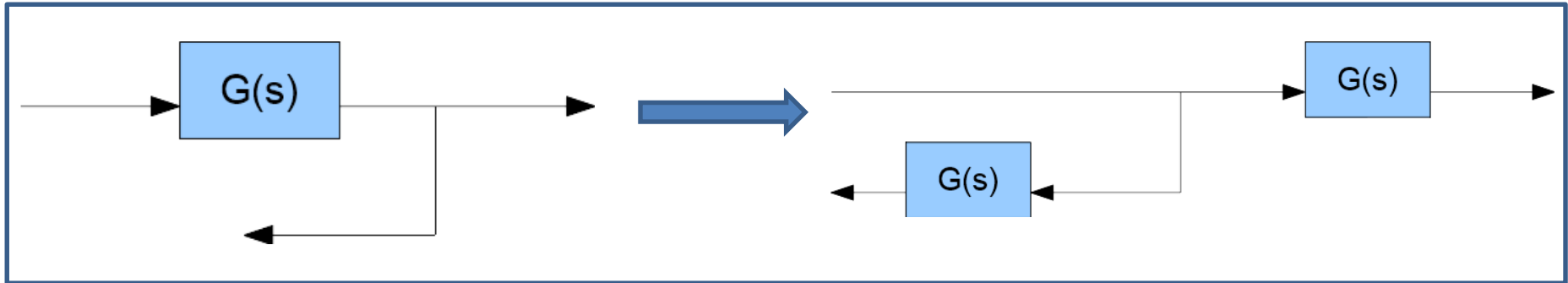
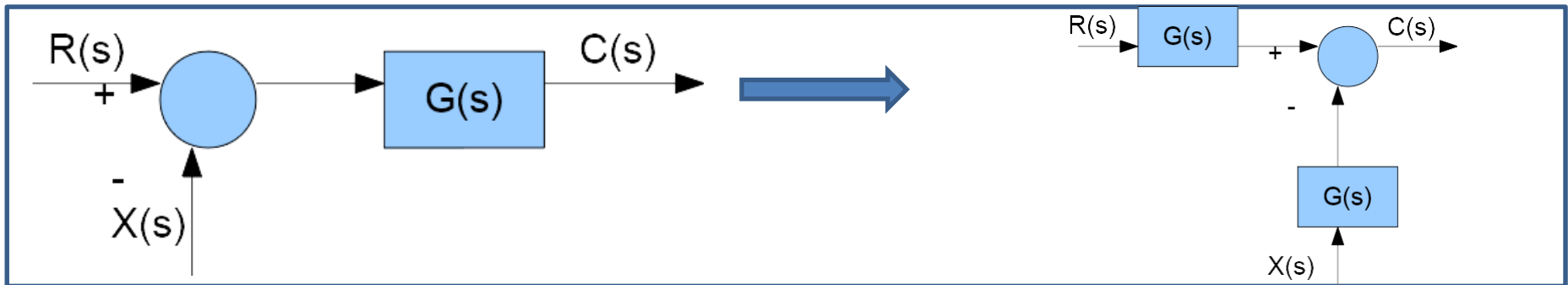
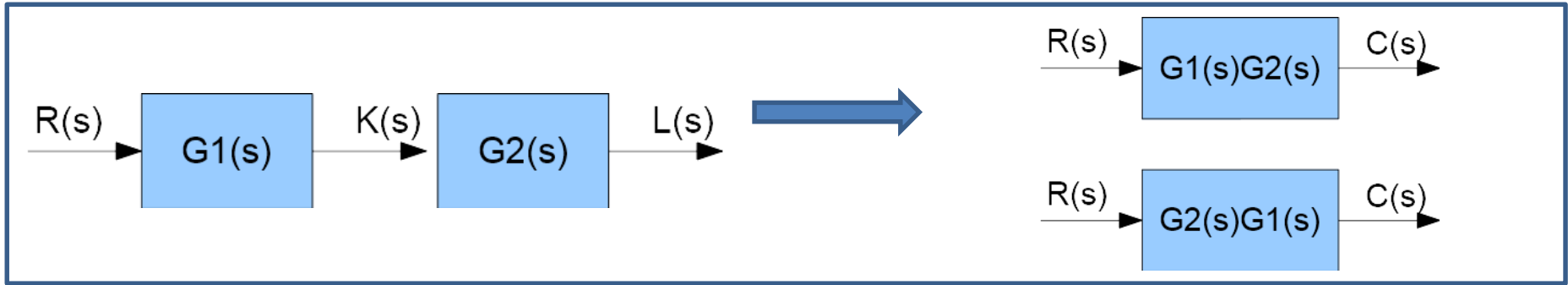


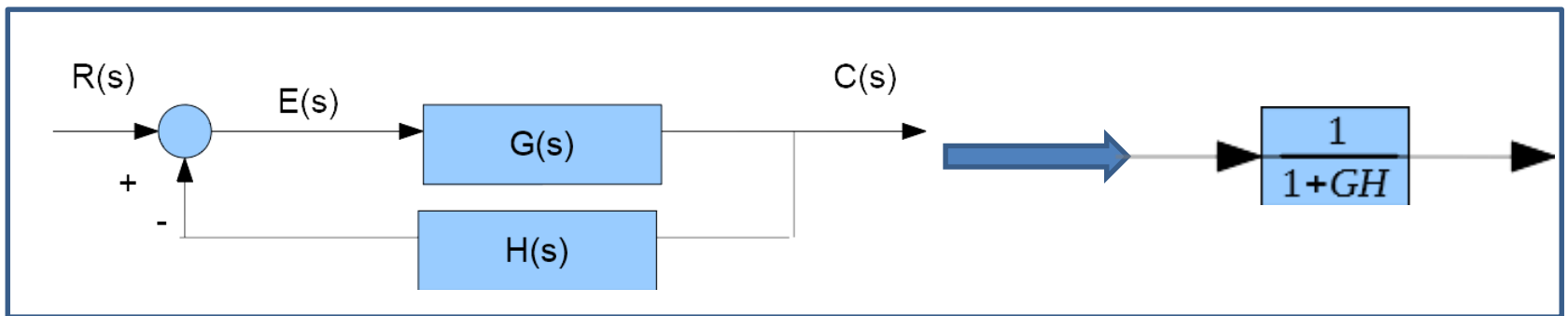
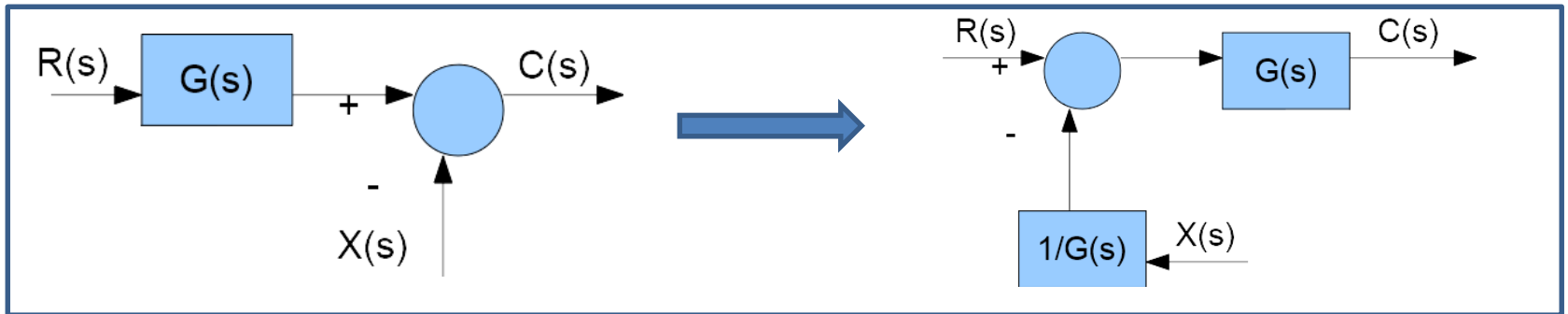
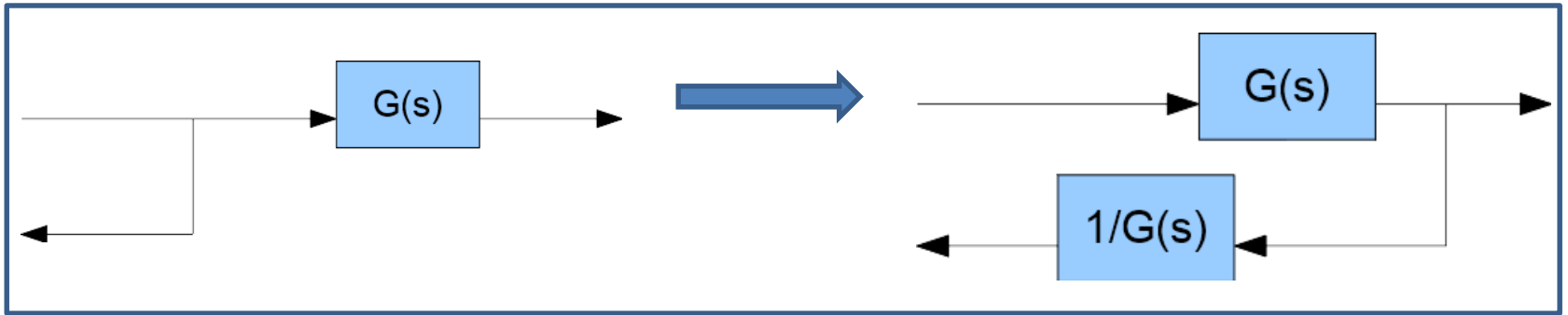
(C)

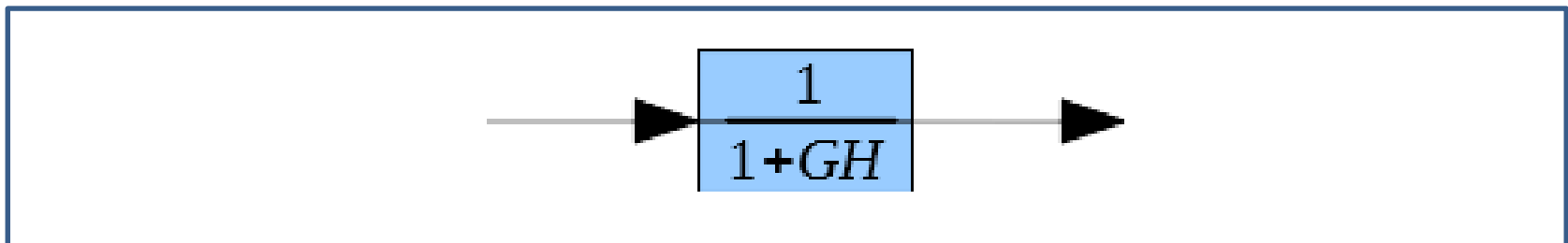
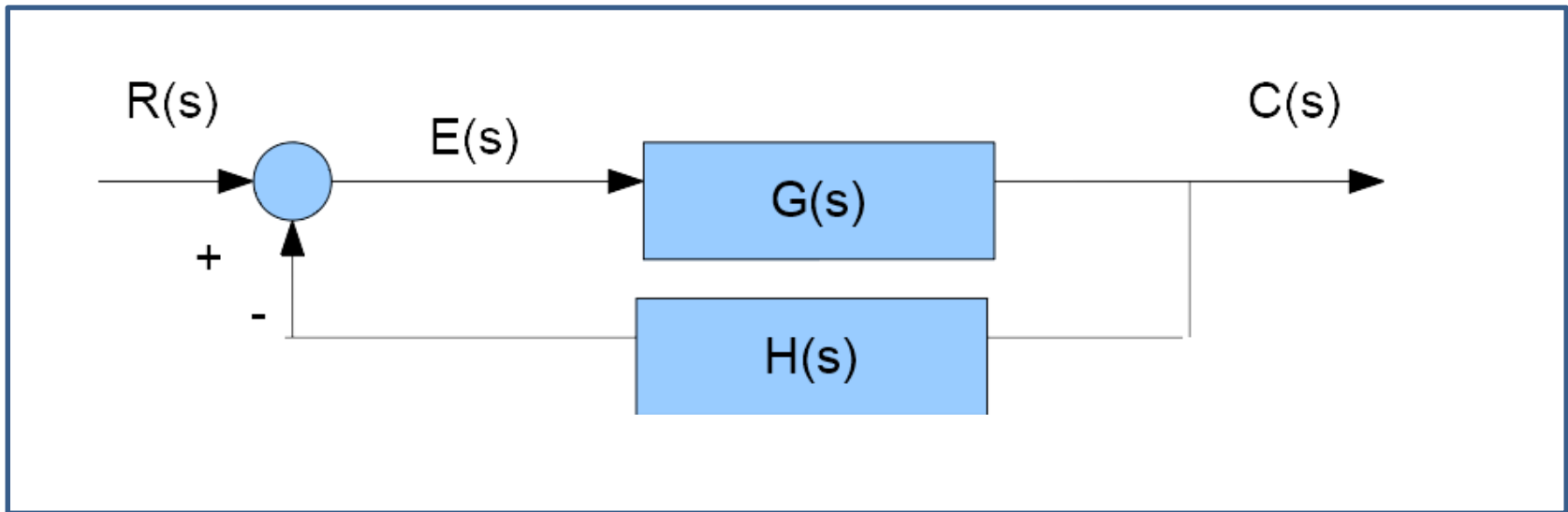


(D)



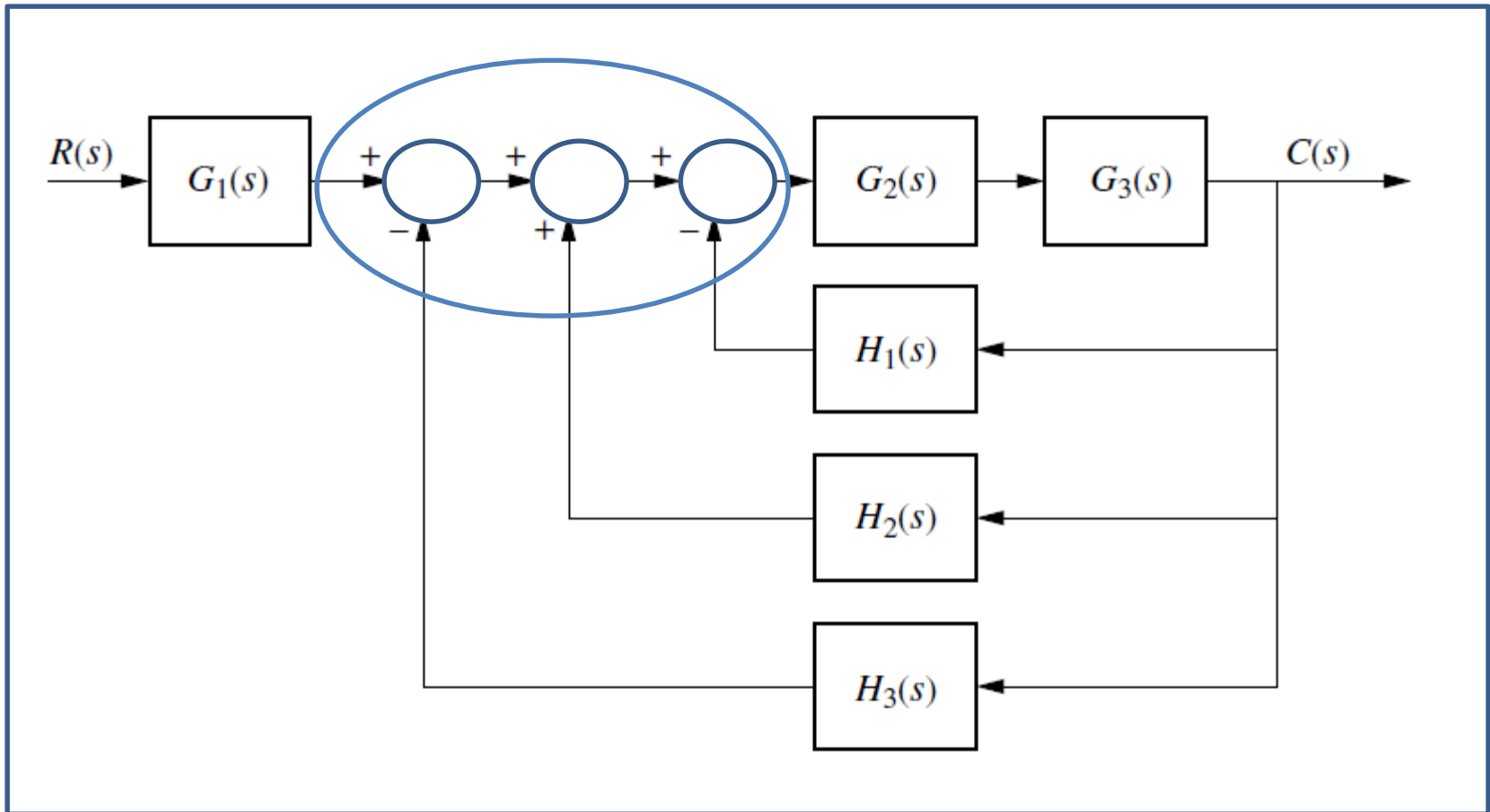


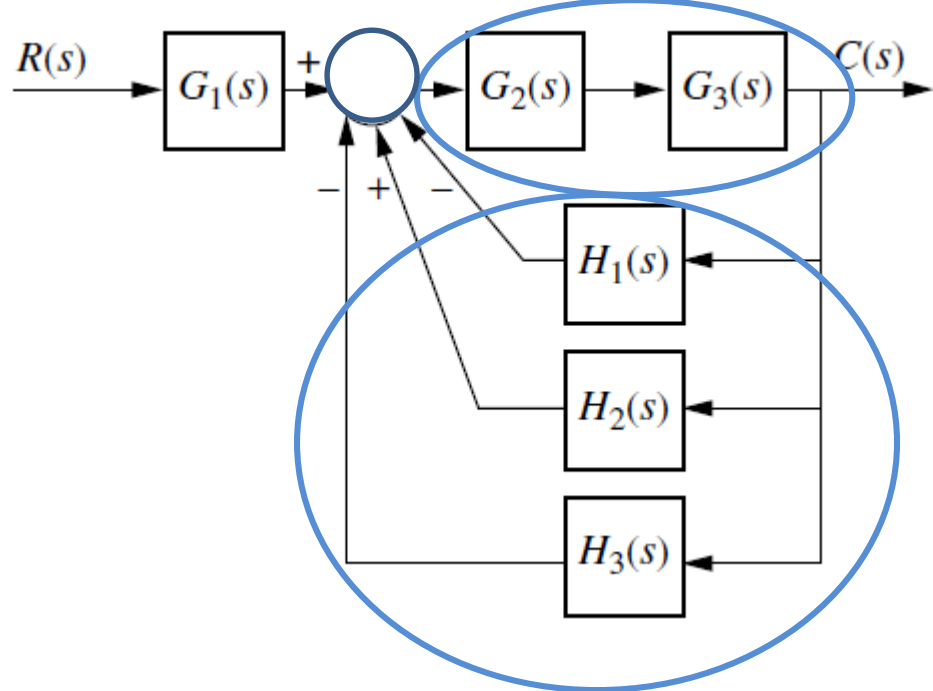




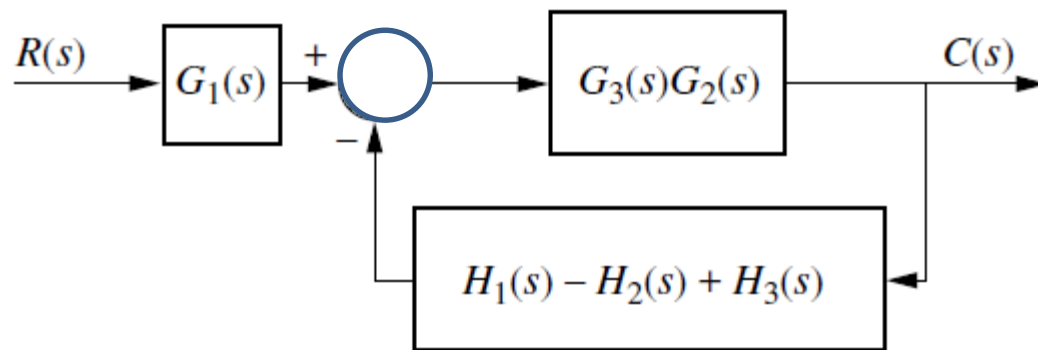
Example:

Reduce the block diagram to a simple transfer function

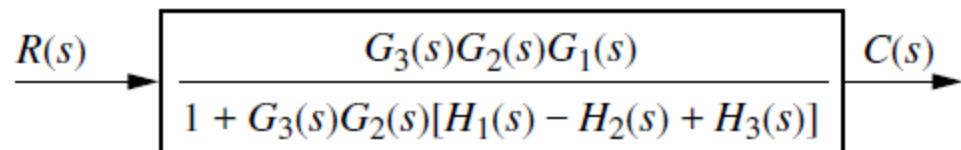




(1)

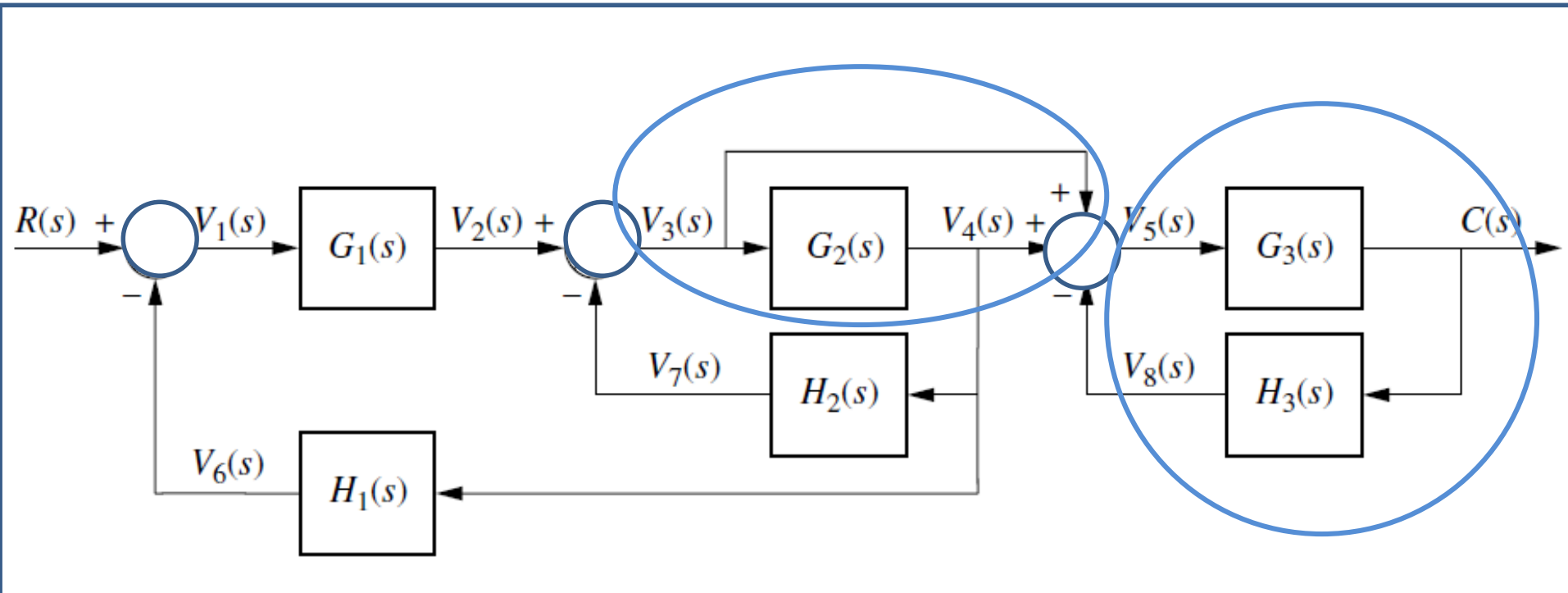


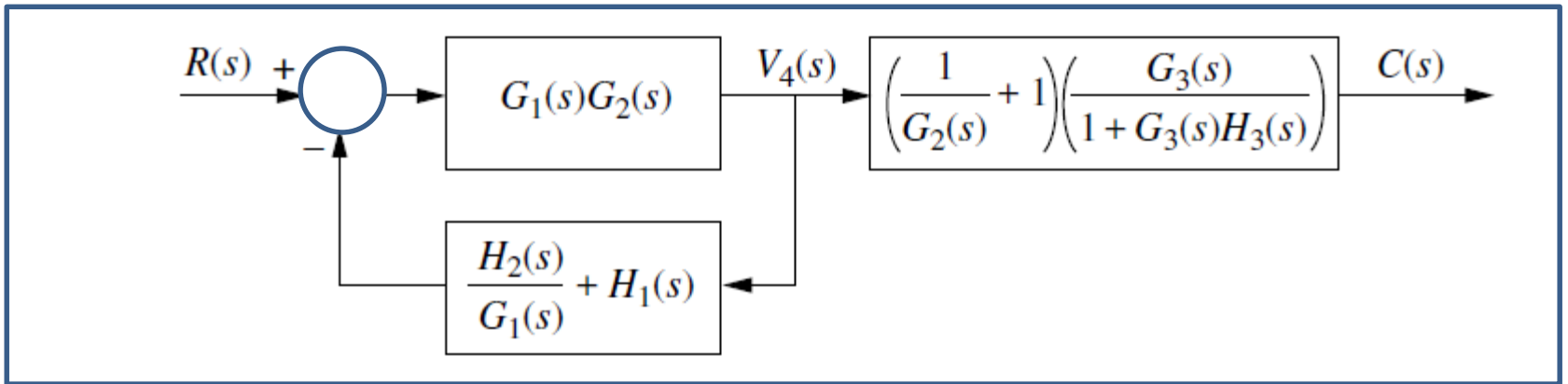
(2)



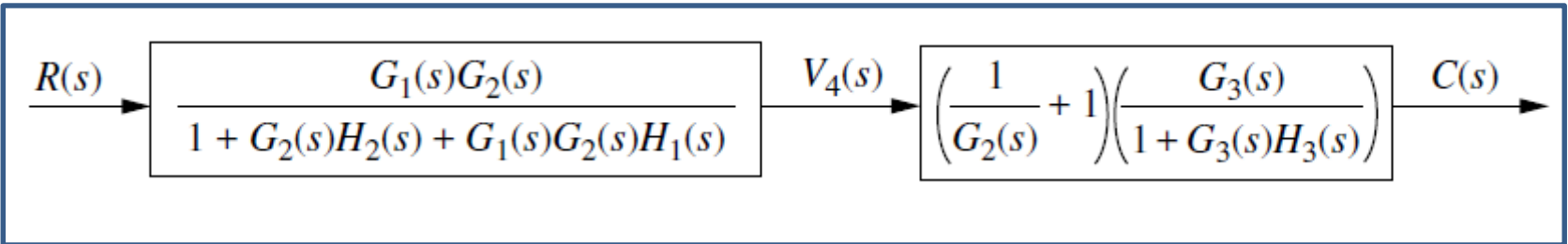
Example:

Reduce the block diagram to a simple transfer function

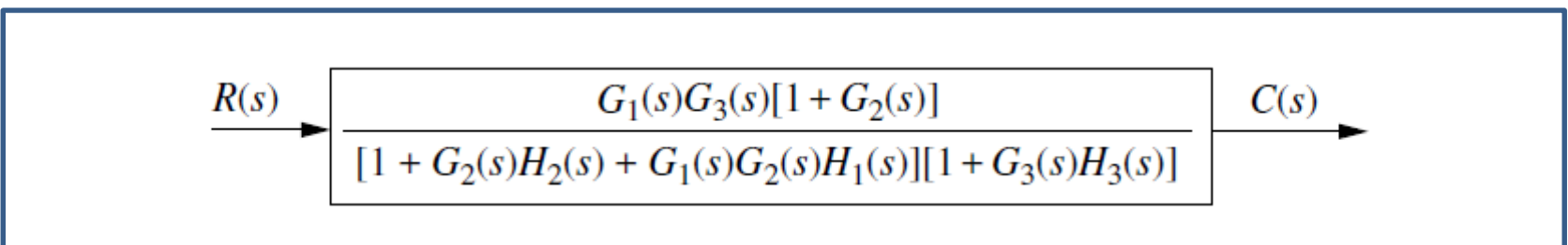




(1)

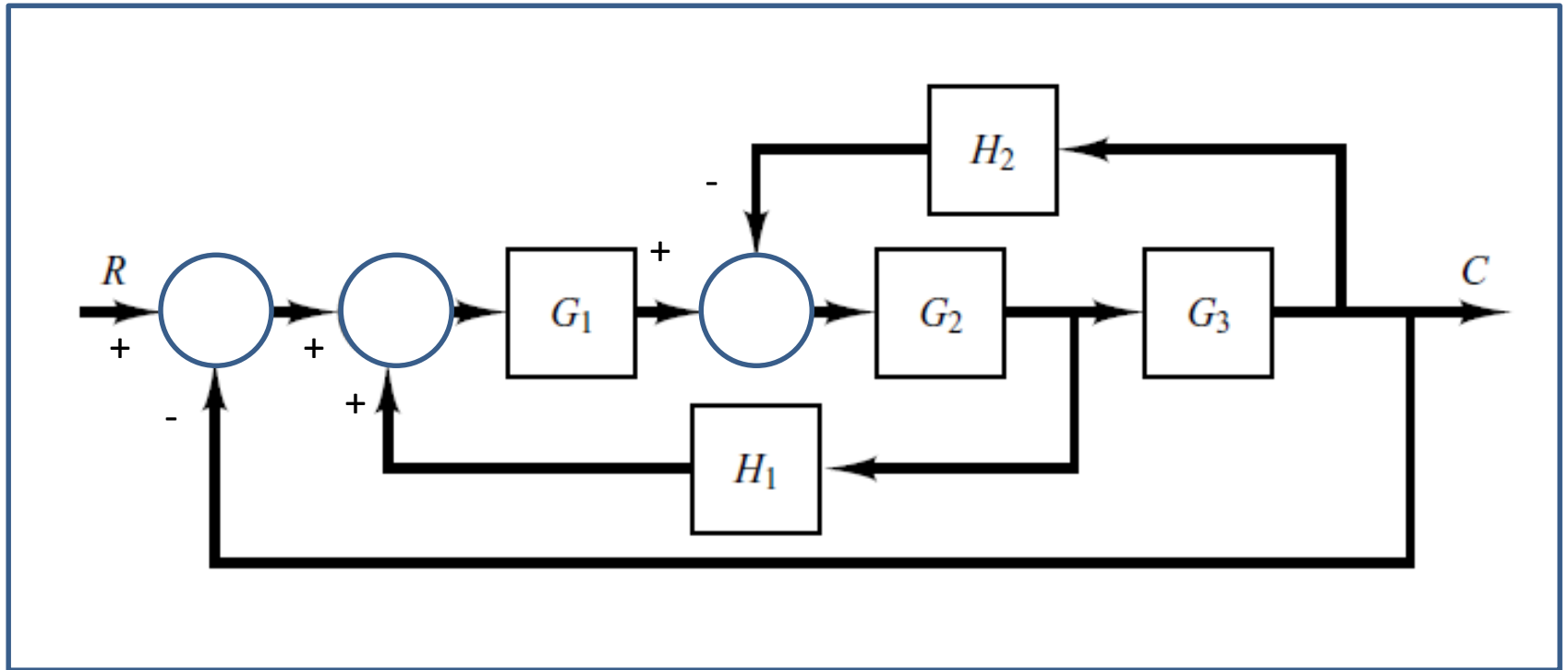


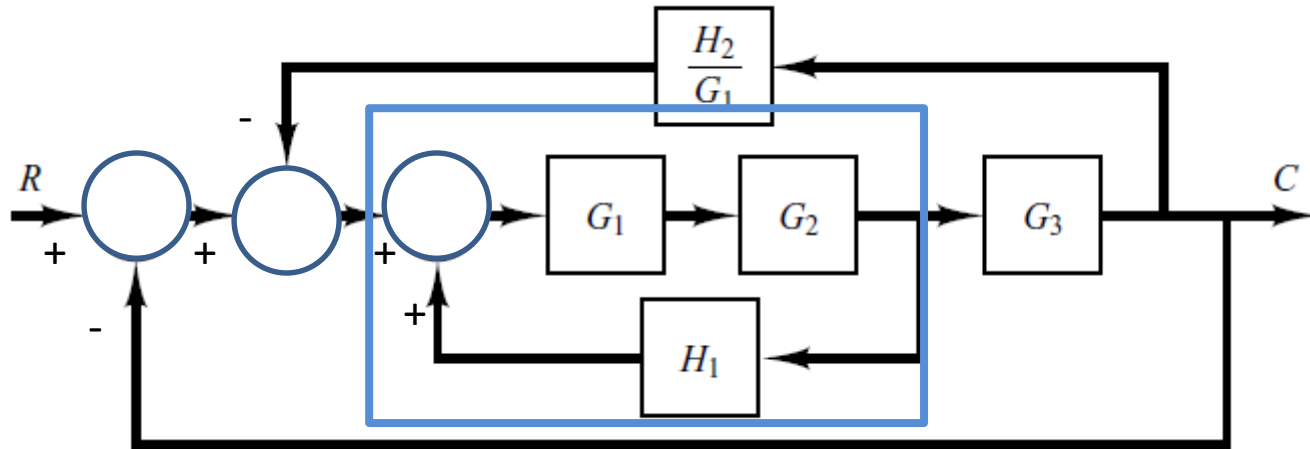
(2)



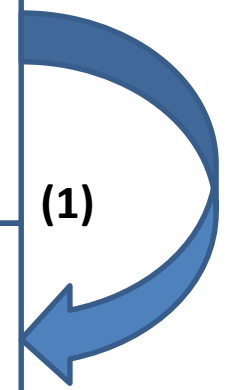
Example:

Reduce the block diagram to a simple transfer function

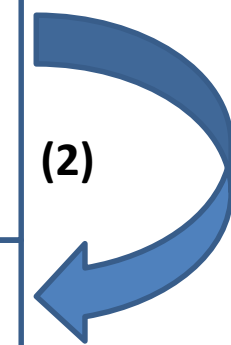




(1)



(2)



(3)

