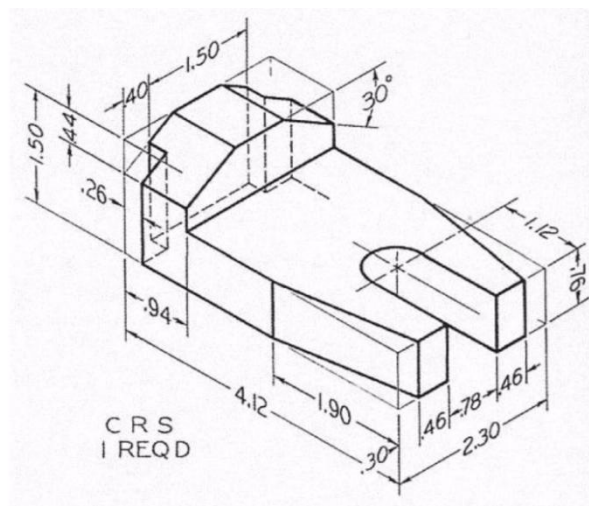
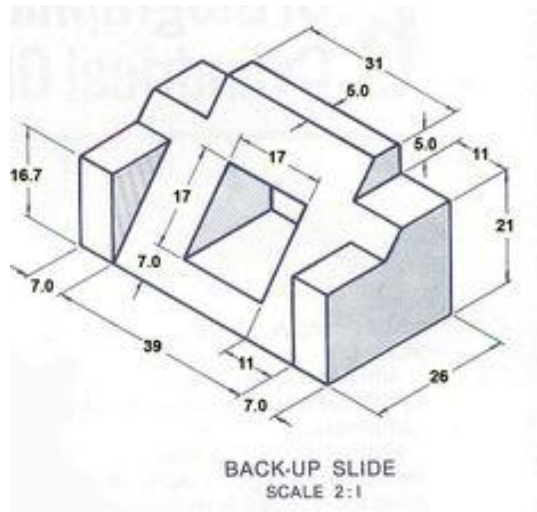


## Application of Three View Drawing

Sketch the three view drawing figure below in AutoCAD



References:

<https://tr.pinterest.com/pin/518758450799932845/> Access Date : 31.01.2016

[https://www.reddit.com/r/SolidWorks/comments/3j5hzbz/this\\_drawing\\_was\\_a\\_little\\_harder\\_than\\_it\\_looks/](https://www.reddit.com/r/SolidWorks/comments/3j5hzbz/this_drawing_was_a_little_harder_than_it_looks/)

Access Date : 31.01.2016