

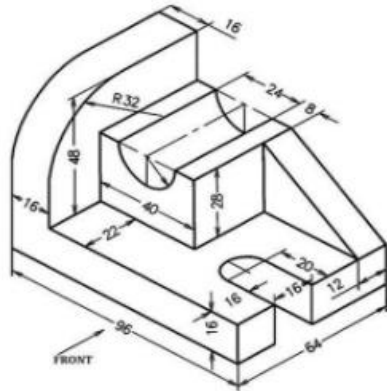
Application of 3D Solid Modelling

Sketch these solid models in AutoCAD

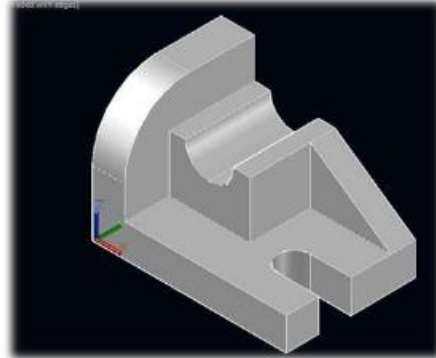


2D to 3D Conversion

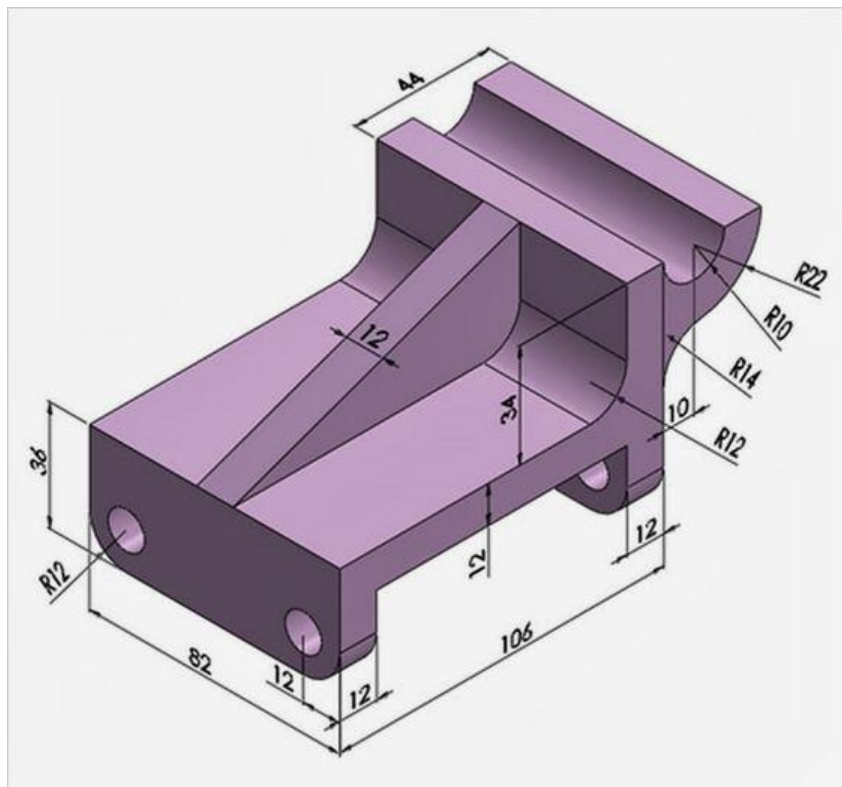
Create 3D Models using 2d Drawings, with the help of Solid modeling tool. Like:-(Extrude, Revolve, Sweep, loft, subtract, intersect etc.)



2D Design



3D Design



References:

<https://tr.pinterest.com/pin/532339618426359083/> Access Date : 31.01.2017