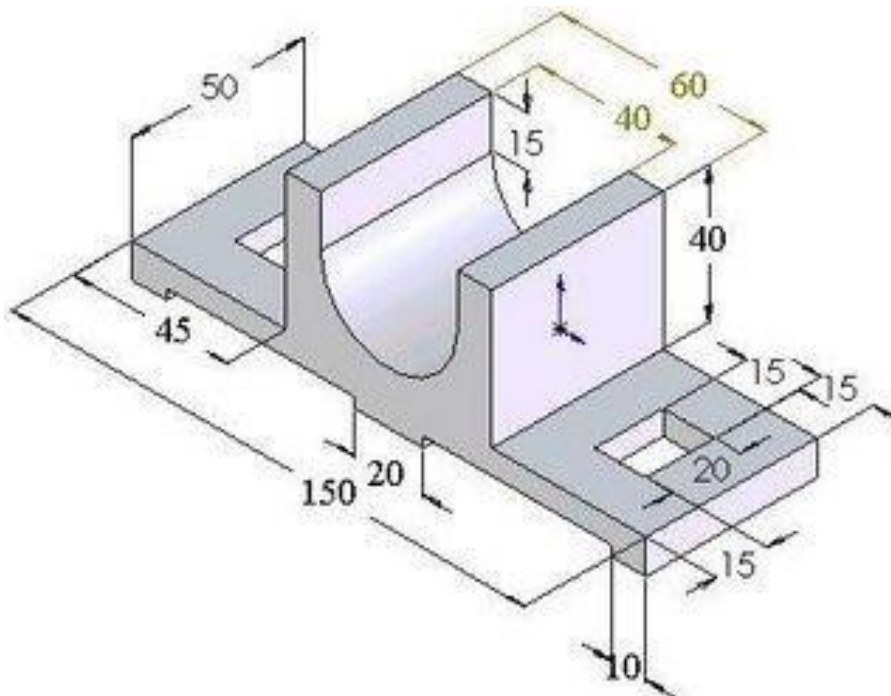
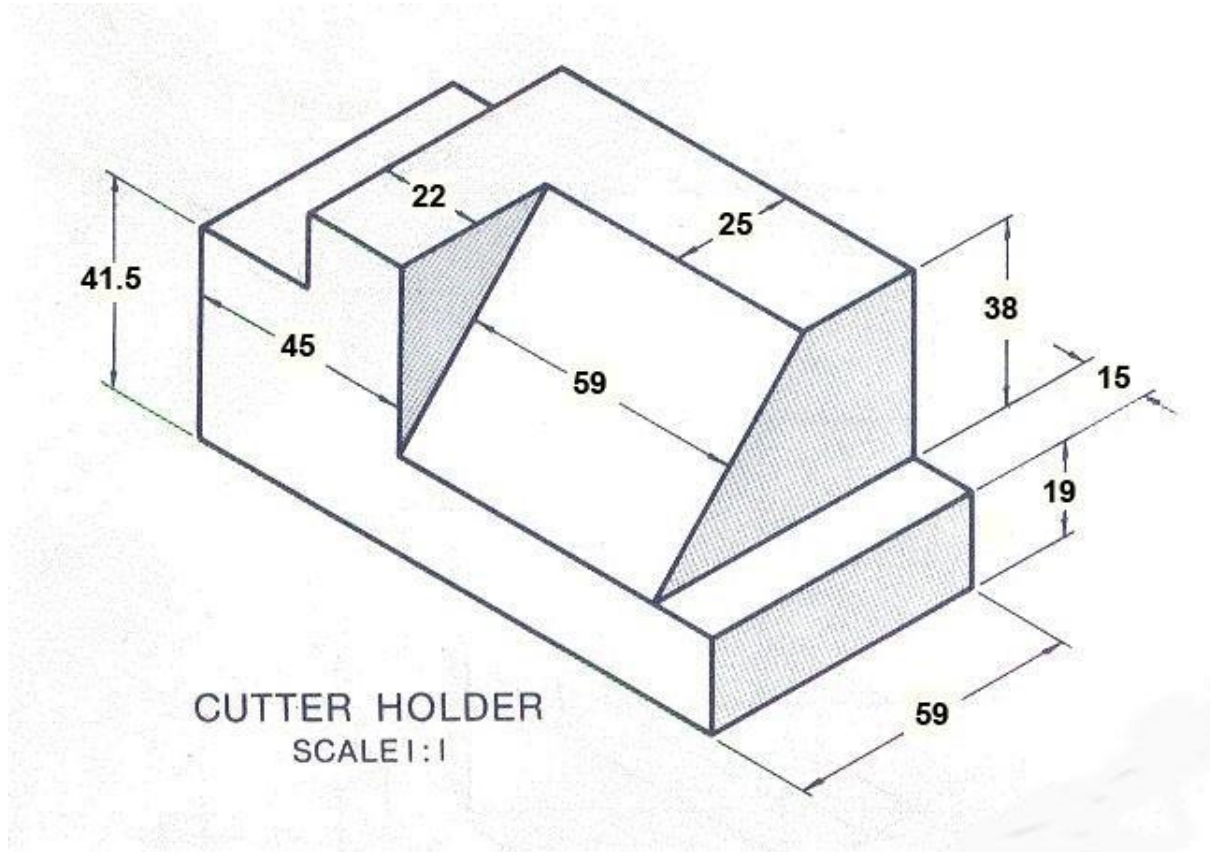
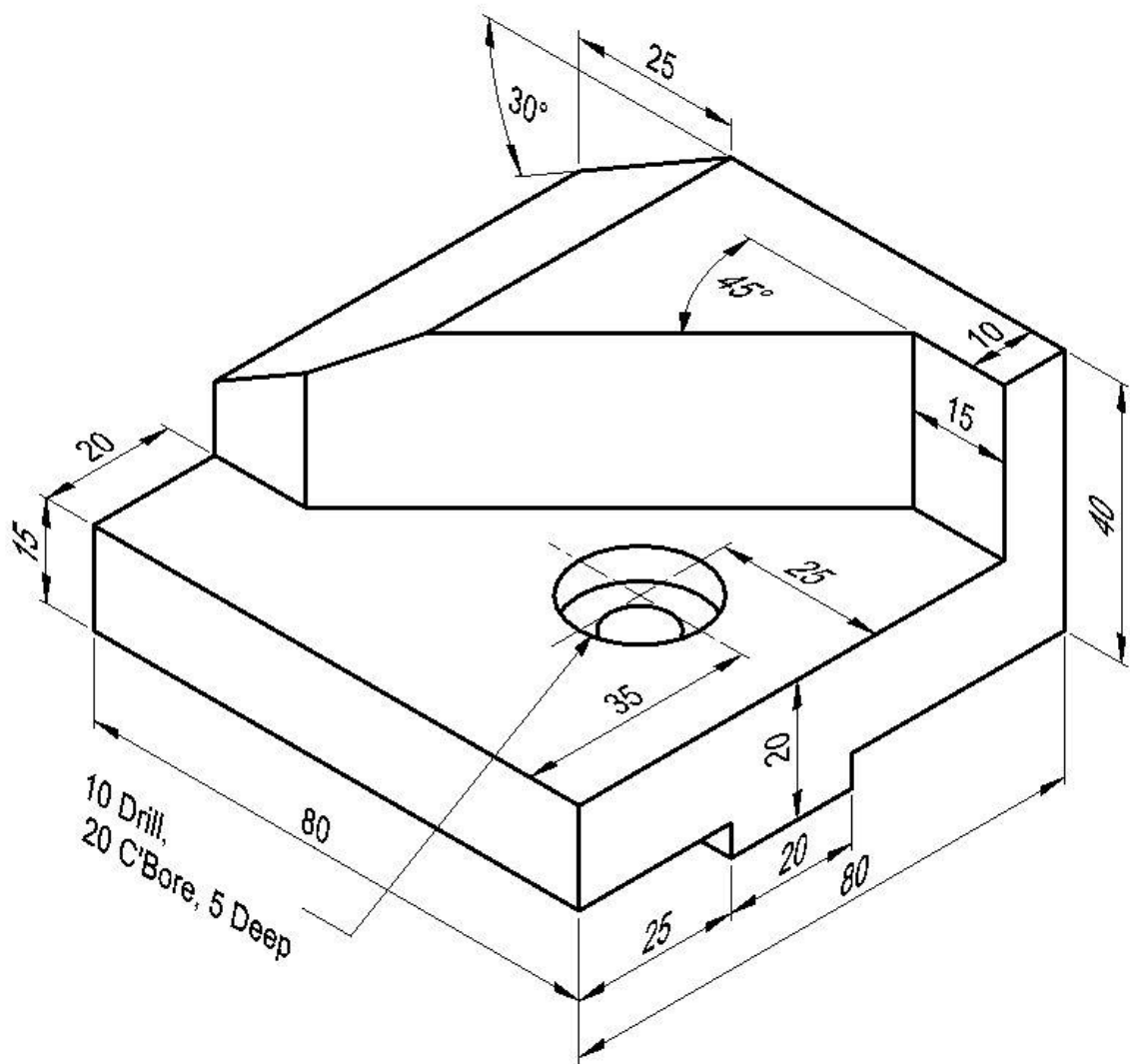


Perspective Drawing (PRACTICES OF 9th WEEK)

Sketch these figure below in AutoCAD™





References:

- <http://www.all4-you.com/isometric-drawing-exercises/pretty-isometric-drawing-exercises-picture/> Access Date : 31.01.2017
- <http://machinedrawing.blogspot.com.tr/2006/04/chapter7-part1.html> Access Date : 31.01.2017
- <http://engg-drawing.blogspot.com.tr/2011/07/gtu-110013-engineering-graphics-dec.html> Access Date : 31.01.2017
- <http://www.ques10.com/p/1060/engineering-drawing-question-paper-dec-2014-firs-1/> Access Date : 31.01.2017
- <http://web.catics.org/edu/course/tuwen.php?id=2735> Access Date : 31.01.2017